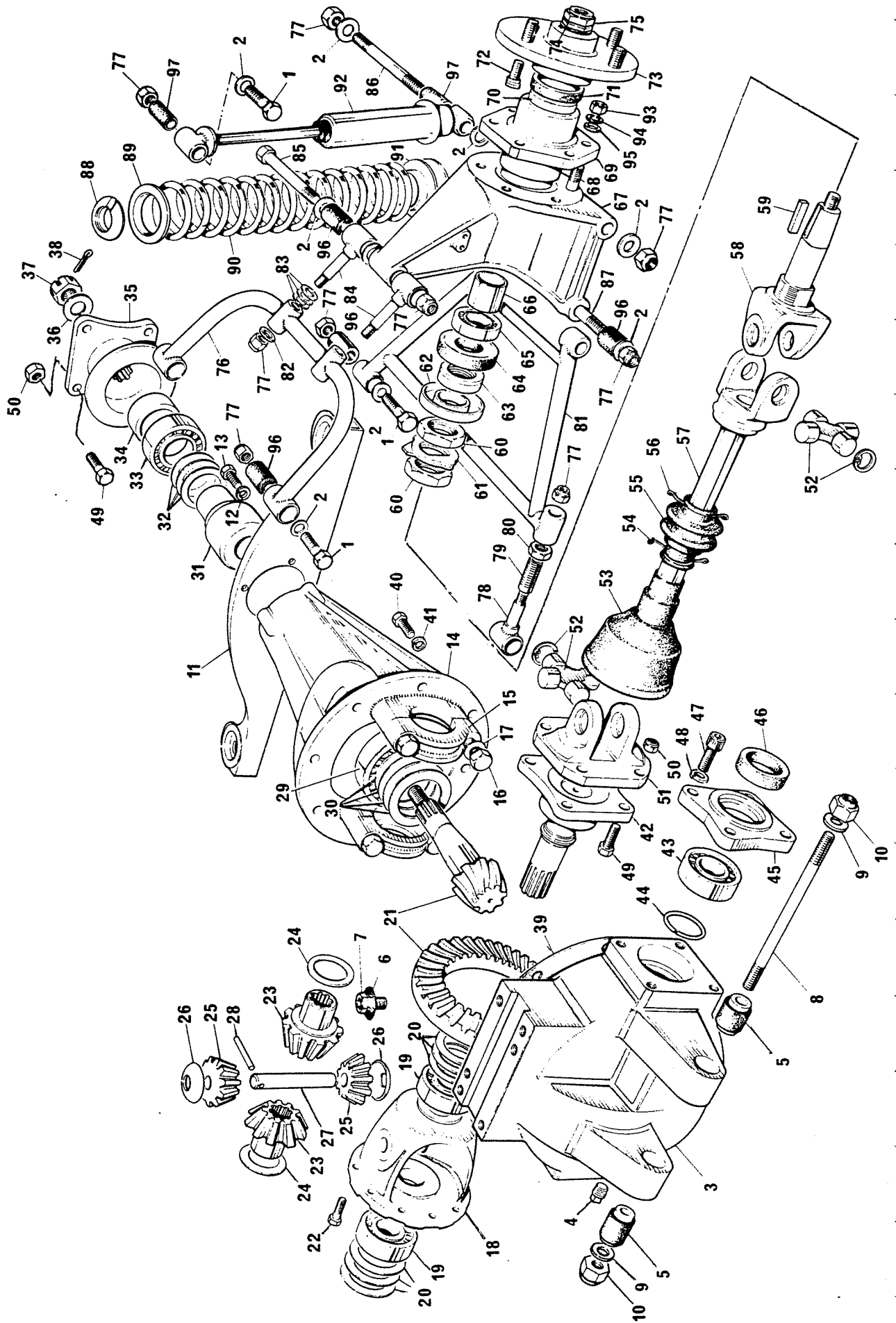


SECTION 3

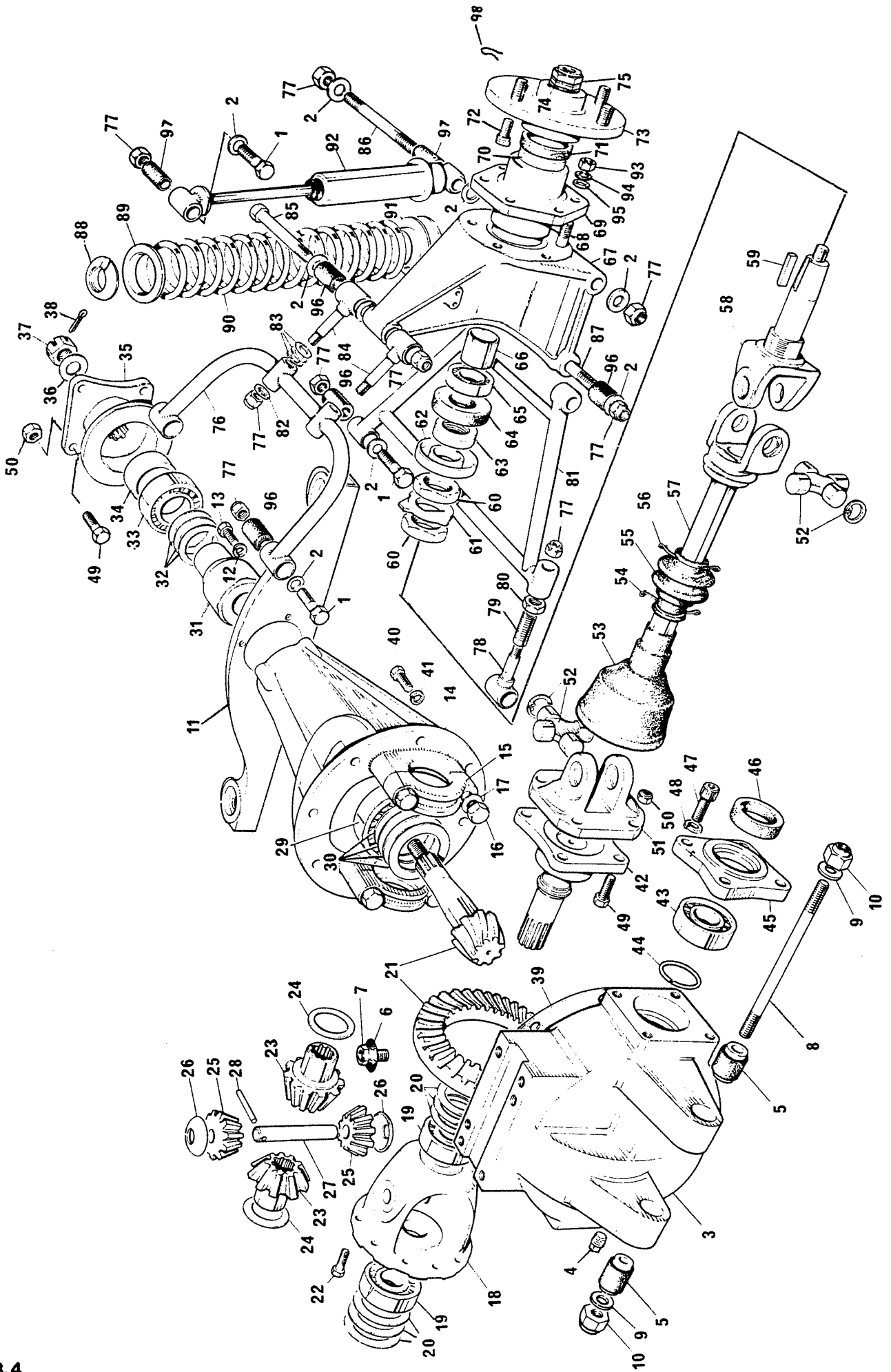
Differential & Axle, Propellor Shaft & Clutch Assemblies



DIFFERENTIAL AND AXLE ASSEMBLY – 1600M

<i>Item No.</i>	<i>Part No.</i>	<i>Description</i>	<i>Qty.</i>
	10150	Differential assembly	1
	10151	Drive shaft and hub assembly	2
1	01018	Bolt, hex hd. ½" U.N.F. x 2½" long	10
2	04013	Washer, plain ½" i.d.	44
3	10152	Axle housing	1
4	15340	Plug, filler/level	1
5	15341	Bush, mounting	2
6	04026	Washer, fibre, 3/8" i.d.	6
7	01036	Bolt, hex, socket hd. 3/8" U.N.F. x ½" long	6
8	05012	Stud, 7/16" U.N.F. x 7½" long	1
9	04027	Washer, plain, 7/16" i.d.	2
10	03026	Nut, self-locking, 7/16" U.N.F.	2
11	15346	Rear axle nose plate	1
12	04005	Washer, spring 3/8" i.d.	4
13	01048	Bolt, special	4
14	15349	Housing assembly	1
15	—	Bearing cups — not serviced	2
16	01049	Bolt, special	4
17	04005	Washer, spring, 3/8" i.d.	4
18	15353	Differential casing	1
19	15354	Bearing	2
20	15350	Shim, 0.0025"/0.0035"	A/R
	15351	Shim, 0.0045"/0.0055"	A/R
	15352	Shim, 0.0092"/0.0098"	A/R
	15355	Shim, 0.019"/0.021"	A/R
21	15356	Crown wheel and pinion (3.89:1)	1
	15357	Crown wheel and pinion (4.1:1)	1
22	01050	Bolt, special	8
23	15359	Differential gear	2
24	15360	Washer, thrust	2
25	15361	Differential pinion	2
26	15334	Washer, thrust, 0.027"	A/R
	15335	Washer, thrust, 0.029"	A/R
	15336	Washer, thrust, 0.030"/0.032"	A/R
	15337	Washer, thrust, 0.033"	A/R
	15338	Washer, thrust, 0.035"	A/R
	15339	Washer, thrust, 0.037"	A/R
	15342	Washer, thrust 0.039"	A/R
	15344	Washer, thrust, 0.041"	A/R
	15362	Washer, thrust, 0.043"	A/R
27	15363	Differential crosspin	1
28	15364	Locating pin	1
29	15365	Bearing	1

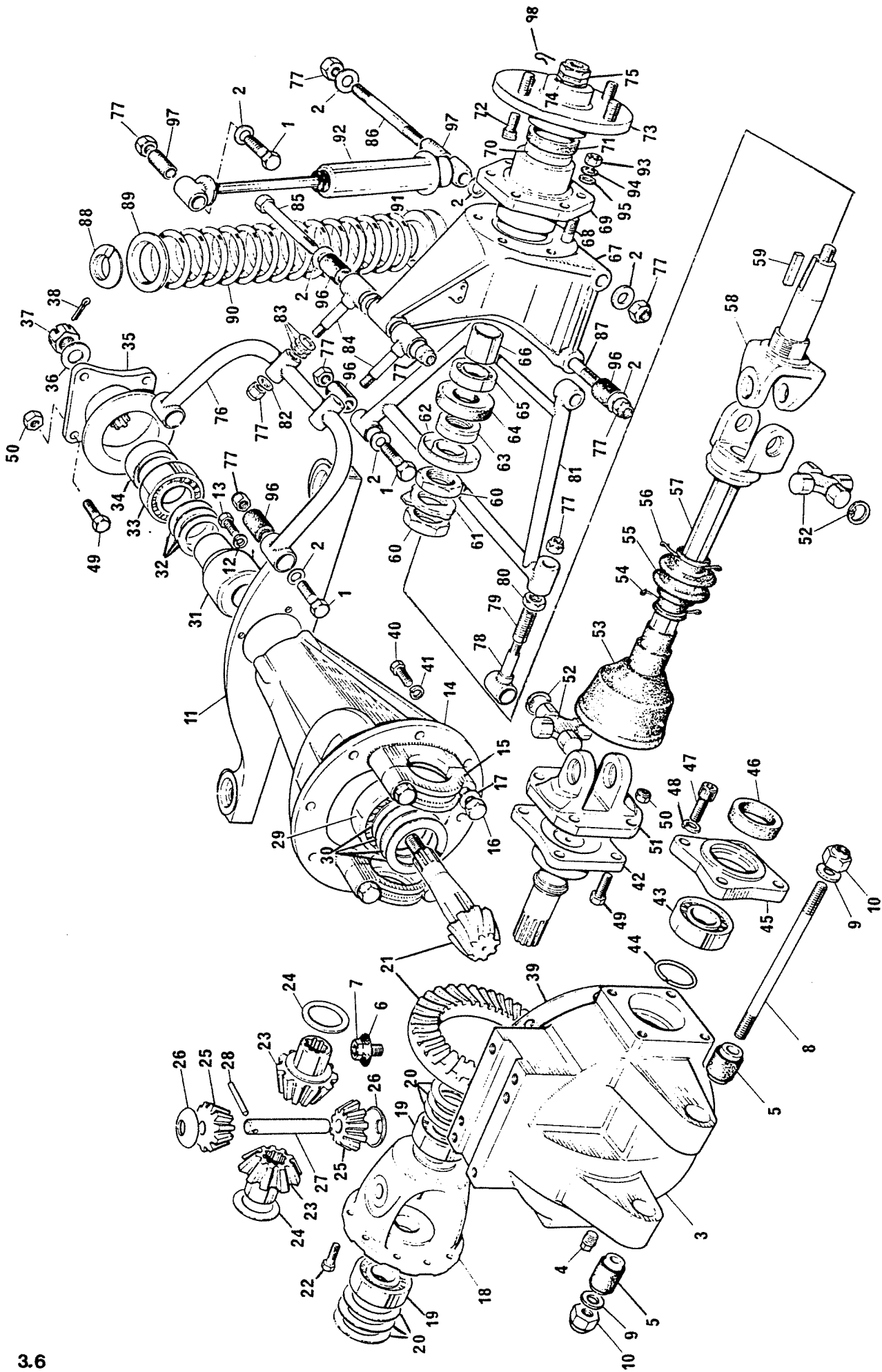
A/R — As required



DIFFERENTIAL AND AXLE ASSEMBLY – 1600M (Cont'd)

<i>Item No.</i>	<i>Part No.</i>	<i>Description</i>	<i>Qty.</i>
30	15345	Shim, 0.075"	A/R
	15366	Shim, 0.076"	A/R
	15372	Shim, 0.077"	A/R
	15373	Shim, 0.078"	A/R
	15374	Shim, 0.079"	A/R
	15376	Shim, 0.0795"	A/R
	15377	Shim, 0.080"	A/R
31	15367	Spacer	1
32	15347	Shim 0.003"	A/R
	15348	Shim 0.005"	A/R
	15358	Shim 0.010"	A/R
	15368	Shim 0.030"	A/R
33	15369	Bearing	1
34	15370	Seal, oil	1
35	15371	Flange	1
36	04043	Washer, special	1
37	03035	Nut, self-locking, special	1
38	15383	Cap, blanking	1
39	15375	Gasket	1
40	01051	Bolt, hex hd., special	8
41	04003	Washer, spring, 5/16" i.d.	8
42	15378	Inner axle shaft	2
43	15379	Bearing	2
44	15380	Circlip	2
45	15381	Cap, bearing retaining	2
46	15382	Seal, oil	2
47	02030	Screw, special	8
48	04009	Washer, spring, 1/4" i.d.	8
49	01037	Bolt, special, hex hd. 3/8" U.N.F. x 1.13" long	12
50	03012	Nut, self-locking, 3/8" U.N.F.	12
51	15387	Flange	2
52	025F026A	Universal joint assembly	4
53	15389	Boot	2
54	15390	Clip, large	2
55	15391	Boot	2
56	15392	Clip, small	2
57	15393	Sliding half shaft	2
58	15394	Outer axle shaft	2
59	15395	Key	2
60	03033	Locknut, special outer (thin)	2
	03034	Locknut, special, inner (thick)	2
61	04042	Washer, tab, special	2
62	15399	Stone guard	2

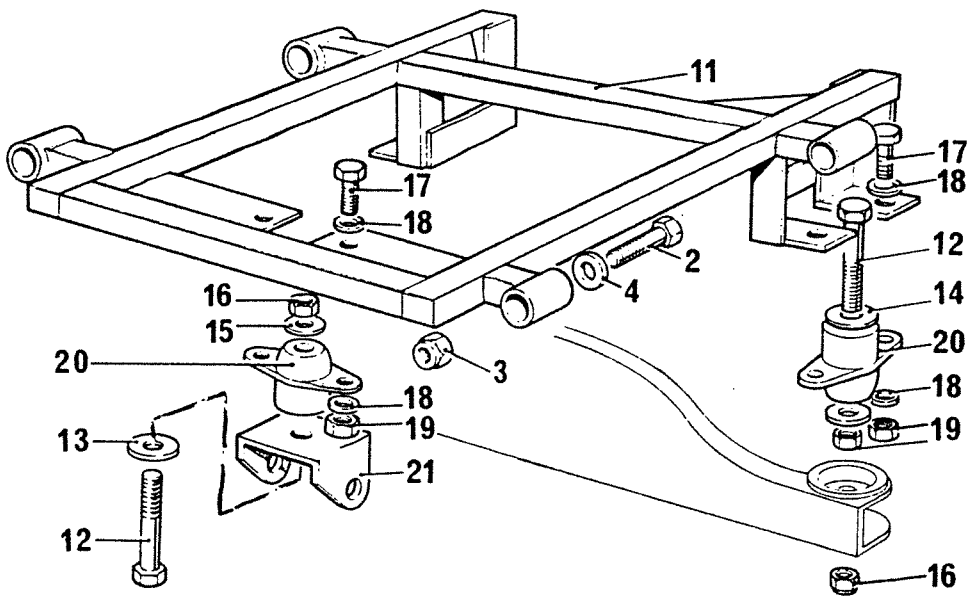
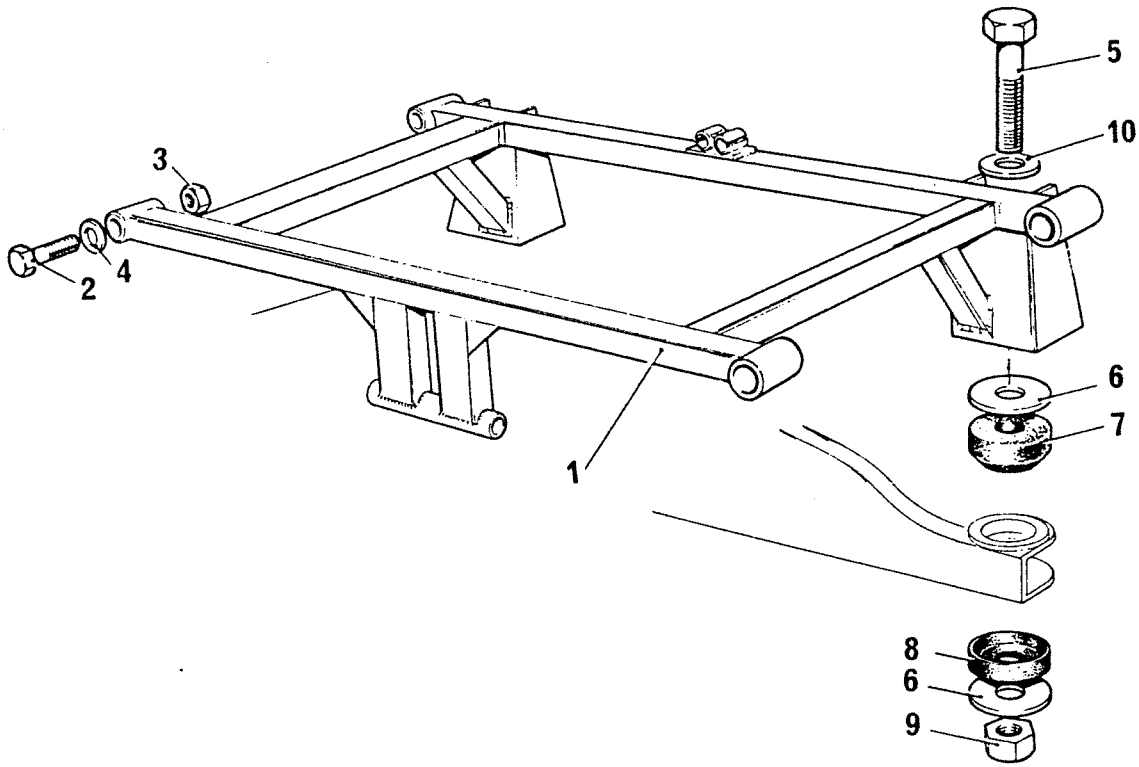
A/R – As required



DIFFERENTIAL AND AXLE ASSEMBLY – 1600M (Cont'd)

<i>Item No.</i>	<i>Part No.</i>	<i>Description</i>	<i>Qty.</i>
63	15400	Adjuster	2
64	15401	Seal, oil, inner	2
65	15402	Bearing, inner	2
66	15403	Spacer	2
67	15404	Hub carrier casting	2
68	05019	Stud	12
69	15406	Hub, outer	2
70	15407	Bearing, outer	2
71	15408	Seal, oil, outer	2
72	05020	Stud	8
73	15410	Driving flange and hub assembly	2
74	04044	Washer, special	2
75	03036	Nut, castellated, special	2
76	10154	Wishbone, upper	2
77	03013	Nut, self-locking, ½" U.N.F.	26
78	10155	Suspension pin, track adjusting	2
79	15414	Sleeve, track adjusting	2
80	03028	Locknut, 1" U.N.F.	2
81	10156	Wishbone, lower	2
82	04028	Washer, heavy duty, ½" i.d.	4
83	04029	Washer, camber adjusting ½" i.d.	A/R
84	10160	Suspension pin, camber adjusting	4
85	01038	Bolt, ½" U.N.F. x 6" long	2
86	10157	Pivot rod, short	2
87	10158	Pivot rod, long	2
88	15420	Retaining ring	2
89	15421	Locating ring, top	2
90	15422	Spring	2
91	15423	Spacer, bottom	2
92	15424	Shock absorber (up to Chassis No. 3616)	2
	15086	Shock absorber (from Chassis No. 3617)	2
93	03002	Nut, 5/16" U.N.F.	12
94	04003	Washer, spring, 5/16" i.d.	12
95	04002	Washer, plain, 5/16" i.d.	12
96	15428	Bush, rubber, suspension	16
97	15603	Bush, rubber, shock absorber	4
98	05002	Pin, split, 1/8" dia.	2

A/R – As required

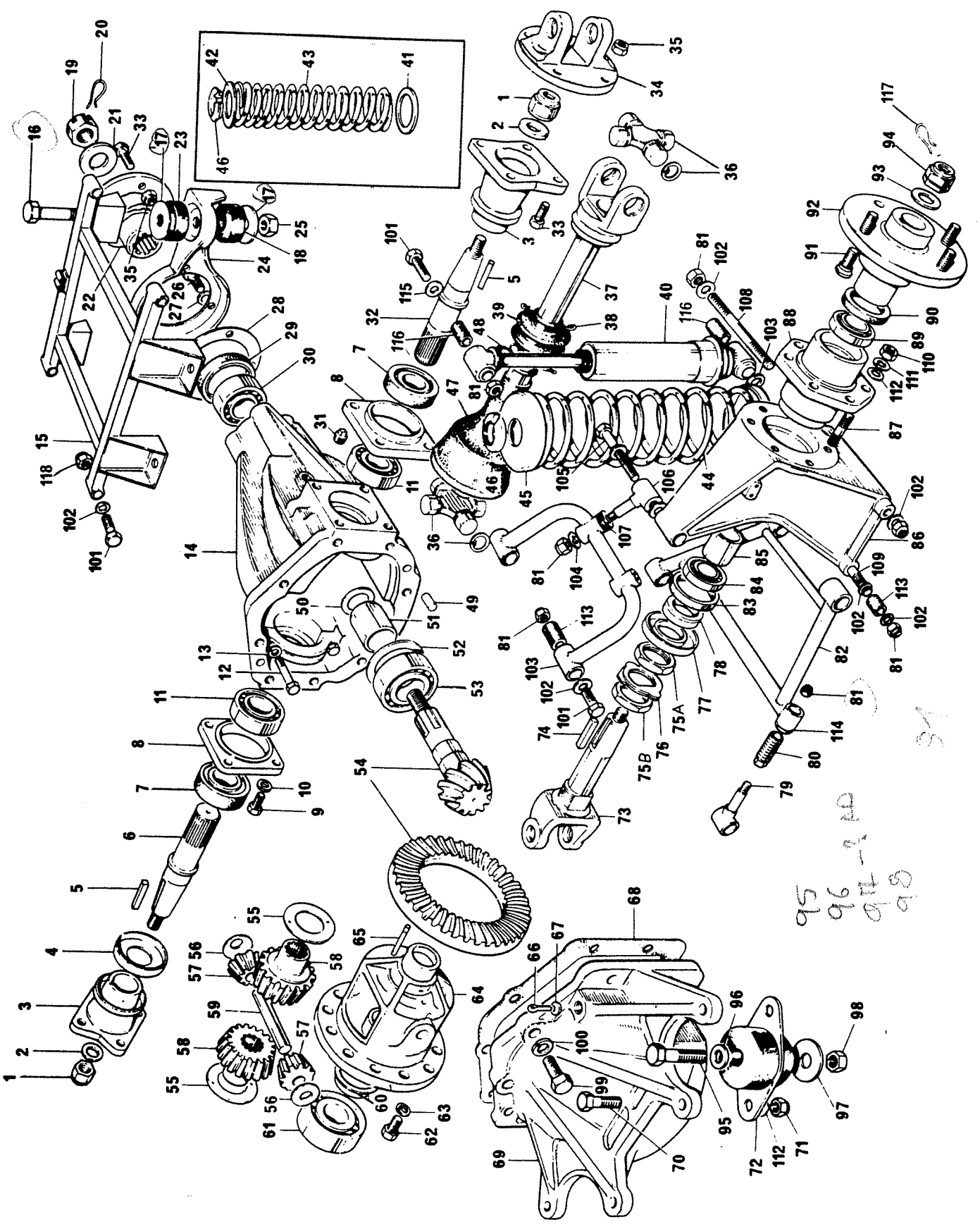


DIFFERENTIAL CARRIER – 1600M

<i>Item No.</i>	<i>Part No.</i>	<i>Description</i>	<i>Qty.</i>
1	10159	Differential Carrier (up to Chassis No. 3380)	1
2	01018	Bolt: hex hd., ½" U.N.F. x 2½" long	4
3	03004	Nut ½" U.N.F.	4
4	04013	Washer plain, ½" i.d.	4
5	01035	Bolt: hex. hd., 9/16" U.N.F. x 3" long	2
6	04025	Washer, special, 9/16" i.d. x 2" o.d. x 1/8" thick	4
7	15456	Differential mounting rubber (upper)	2
8	15461	Differential mounting rubber (lower)	2
9	03025	Nut, self locking 9/16" U.N.F.	2
10	04024	Washer, plain, 9/16" i.d.	2
11	10162	Differential Carrier (from Chassis No. 3381)	1
12	01043	Bolt, special 16 mm x 4½" long	3
13	04035	Washer, special, 5/8" i.d. x 1½" o.d.	1
14	04036	Washer, special, 5/8" i.d. x 2½" o.d.	2
15	04037	Washer, special, 5/8" i.d. x 1¾" o.d.	1
16	03030	Nut 16 mm	3
17	01001	Bolt 5/16" U.N.F. x 1" long	6
18	04002	Washer, plain, 5/16" i.d.	12
19	03002	Nut 5/16" U.N.F.	6
20	15498	Mounting	3
21	15343	Bracket	1

16
17
25

101
102
118

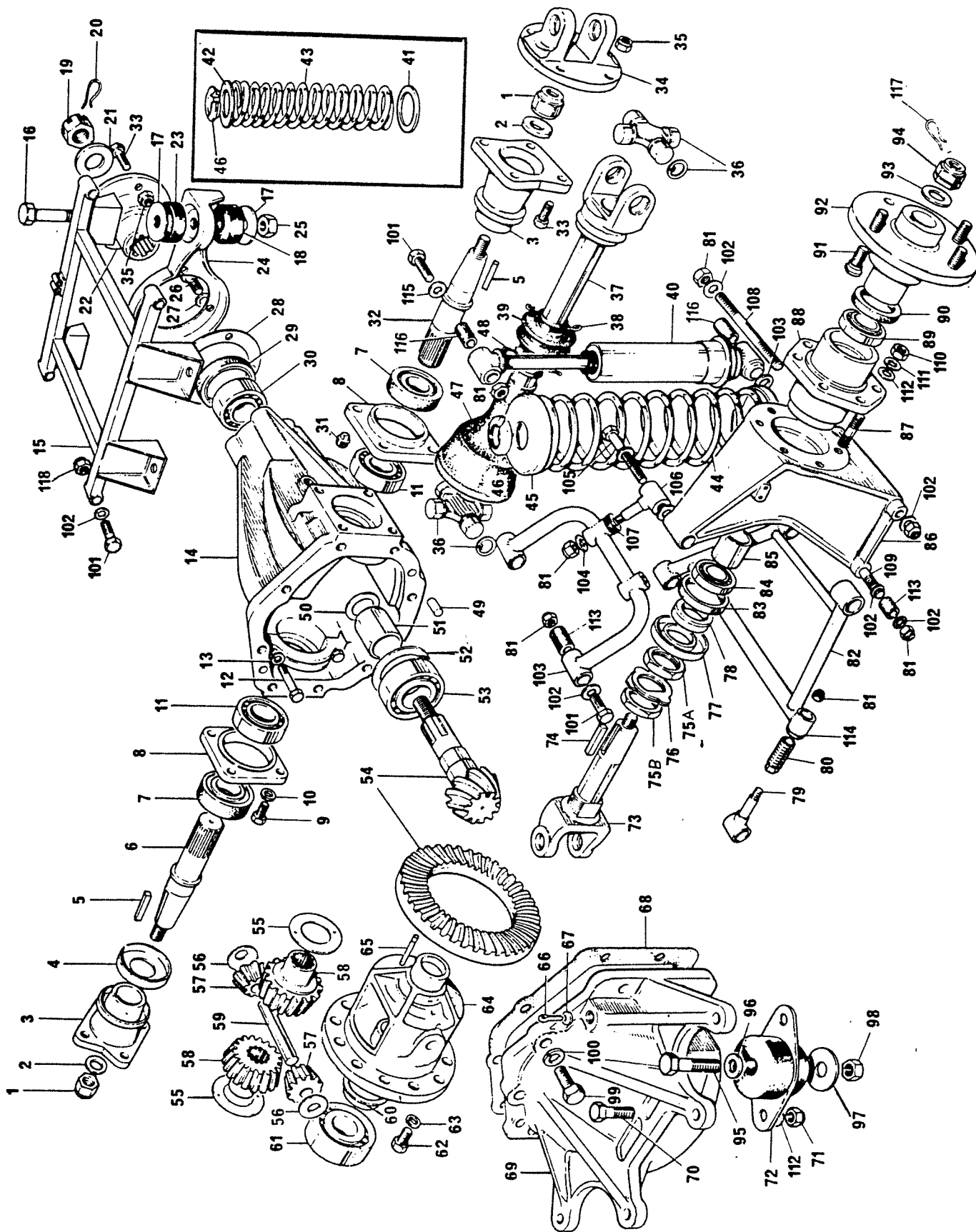


95
96-220
97
98

102
118

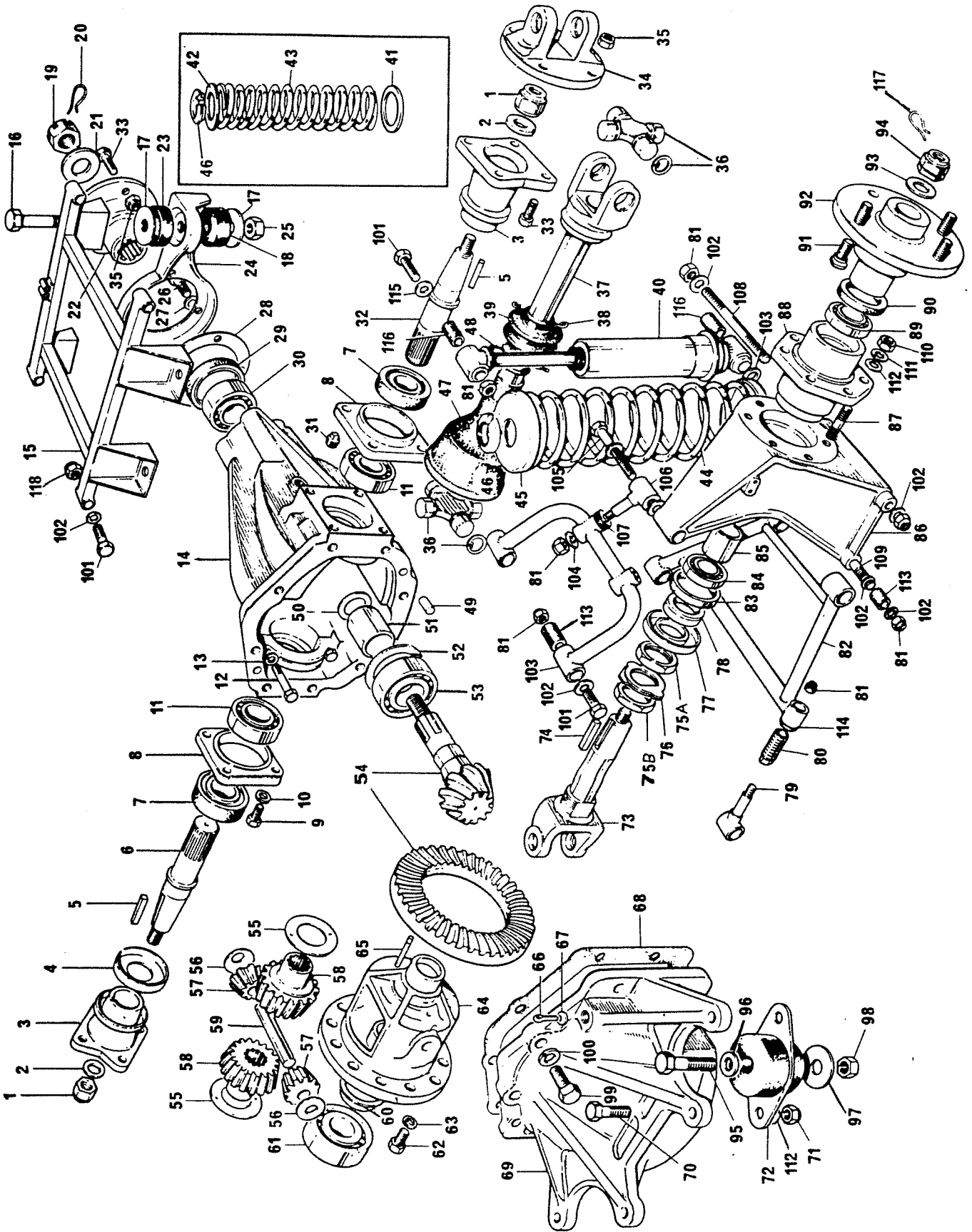
**DIFFERENTIAL AND AXLE ASSEMBLY
(UP TO CHASSIS No, 3918)**

<i>Item No.</i>	<i>Part No.</i>	<i>Description</i>	<i>Qty.</i>
—	10170	Differential assembly	1
—	10171	Drive shaft and hub assembly	1
1	03037	Nut, self-locking, special	2
2	04045	Washer, special	2
3	15442	Flange	2
4	15443	Stone guard	2
5	15444	Key	2
6	15445	Shaft, inner axle, L.H.	1
7	15446	Oil seal	2
8	15447	Oil seal housing	2
9	01052	Bolt, hex. hd. special	8
10	04003	Washer, spring, 5/16" i.d.	8
11	15450	Bearing	2
12	01053	Bolt, hex. hd. special	4
13	04005	Washer, spring, 3/8" i.d.	4
14	15453	Hypoid housing assembly	1
15	10172	Differential carrier	1
16	01039	Bolt, hex. hd., 5/8" U.N.F. x ¾" long	2
17	04030	Washer, special, 5/8" i.d.	4
18	15456	Bush, rubber	2
19	03038	Nut, castellated, special	1
20	15458	Locking wire	1
21	04046	Washer, special	1
22	15460	Flange	1
23	15461	Bush, rubber	2
24	15462	Axle mounting plate assembly	1
25	03027	Nut, self-locking, 5/8" U.N.F.	2
26	01048	Bolt, hex. hd. special	4
27	04005	Washer, spring 3/8" i.d.	4
28	15466	Washer, distance, rear axle mounting	1
29	15467	Oil seal	1
30	15468	Bearing	1
31	15469	Filler and level plug	1
32	15470	Shaft, inner axle, R.H.	1
33	01037	Bolt, special, hex. hd. 3/8" U.N.F. x 1 13" long	12
34	15472	Flange	2
35	03012	Nut, self-locking 3/8" U.N.F.	12
36	025F026A	Universal joint assembly	4
37	15393	Sliding half shaft	2
38	15392	Clip, small	2
39	15391	Boot	2
40	15086	Shock absorber	2
41	15423	Spacer, bottom	2
42	15421	Locating ring, top	2
43	15425	Spring	2
		Item Nos. 44 and 45 no longer applicable	
46	15604	Retaining ring	2



**DIFFERENTIAL AND AXLE ASSEMBLY
(UP TO CHASSIS No. 3918)**

15425 as standard			
<i>Item No.</i>	<i>Part No.</i>	<i>Description</i>	<i>Qty.</i>
47	15389	Boot	2
48	15390	Clip, large	2
49	15476	Dowel	2
50	15477	Shim, pinion adjusting front	A/R
51	15478	Spacer, pinion bearing	1
52	15471	Shim — 0-003"	A/R
	15473	Shim — 0.005"	A/R
	15479	Shim — 0.10"	A/R
53	15480	Bearing	1
54	15481	Crown wheel and pinion (3.45:1)	1
55	15482	Thrust washer	2
56	15483	Thrust washer — 0.0465	A/R
	15489	Thrust washer — 0.049/0.051	A/R
	15490	Thrust washer — 0.051/0.053	A/R
	15497	Thrust washer — 0.053/0.055	A/R
	15499	Thrust washer — 0.055/0.057	A/R
	15500	Thrust washer — 0.057/0.059	A/R
	15501	Thrust washer — 0.059/0.061	A/R
	15502	Thrust washer — 0.061/0.063	A/R
	15503	Thrust washer — 0.063/0.065	A/R
	15504	Thrust washer — 0.065/0.067	A/R
	15505	Thrust washer — 0.067/0.069	A/R
	15506	Thrust washer — 0.069/0.071	A/R
	15507	Thrust washer — 0.071/0.073	A/R
57	15484	Pinion, 10T	2
58	15485	Side differential gear, 16T	2
59	15486	Differential cross pin	1
60	15487	Shim — 0.003"	A/R
	15508	Shim — 0.005"	A/R
	15509	Shim — 0.010"	A/R
61	15488	Bearing	1
62	01054	Bolt, hex hd., special	10
63	04003	Washer, spring, 5/16" i.d.	10
64	15491	Differential case	1
65	15492	Cross pin	1
66	15493	Cotter pin	1
67	15494	Plug	1
68	15495	Gasket	1
69	15496	Rear cover assembly	1
70	01007	Bolt hex. hd., 5/16" U.N.F. x 1½" long	4
71	03016	Nut, self-locking 5/16" U.N.F.	4
72	15498	Flexible mounting	2
73	15394	Outer axle shaft	2
74	15395	Key	2

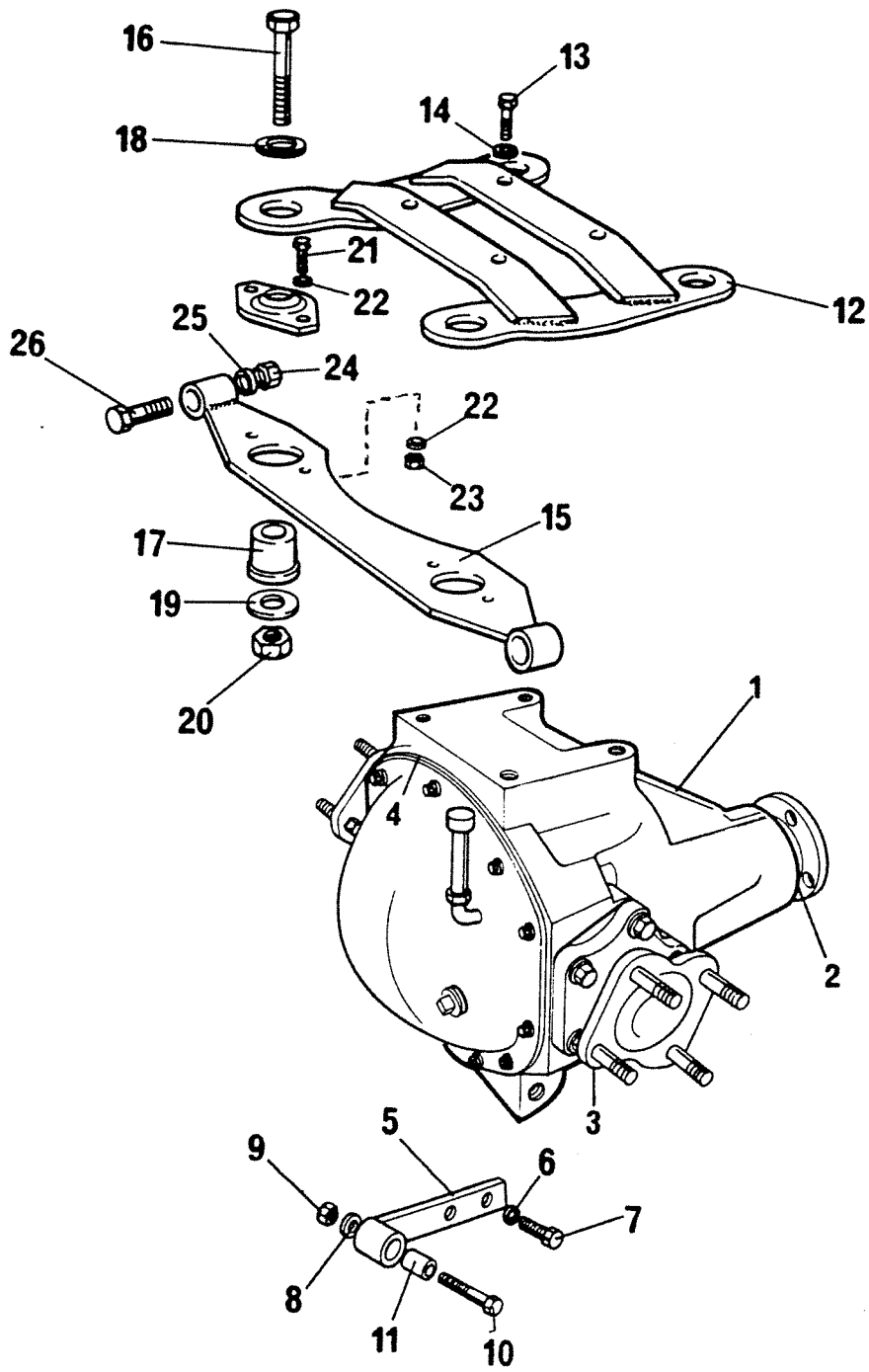


**DIFFERENTIAL AND AXLE ASSEMBLY
(UP TO CHASSIS NO. 3918)**

<i>Item No.</i>	<i>Part No.</i>	<i>Description</i>	<i>Qty.</i>
75A	03033	Locknut, outer (thin)	4
75B	03034	Locknut, inner (thick)	4
76	04042	Washer, tab	2
77	15399	Stone guard	2
78	15400	Adjuster	2
79	10155	Suspension pin, track adjusting	2
80	15414	Track adjusting sleeve	2
81	03013	Nut, self-locking, ½" U.N.F.	28
82	10156	Lower wishbone	2
83	15401	Oil seal, inner	2
84	15402	Bearing, inner	2
85	15403	Spacer	2
86	15404	Hub carrier	2
87	05019	Stud	12
88	15406	Outer hub	2
89	15407	Bearing, outer	2
90	15408	Oil seal, outer	2
91	05020	Stud	8
92	15410	Driving flange and jub assembly	2
93	04044	Washer, special	2
94	03036	Nut, castellated	2
95	01040	Bolt, hex. hd., 5/8" U.N.F. x 3½" long	2
96	04031	Washer, plain, 5/8" i.d.	2
97	04032	Washer, penny, 5/8" i.d.	2
98	03027	Nut, self-locking, 5/8" U.N.F.	2
99	01051	Bolt, hex. hd., special	8
100	04003	Washer, spring, 5/16" i.d.	8
101	01018	Bolt, hex. hd. ½" U.N.F. x 2½" long	10
102	04013	Washer, plain, ½" i.d.	40
103	10154	Upper wishbone	2
104	04028	Washer, heavy duty ½" i.d.	4
105	01038	Bolt, hex. hd., ½" U.N.F. x 6" long	2
106	10155	Suspension pin, camber adjusting	4
107	04029	Washer, camber adjusting, ½" i.d.	A/R
108	10157	Pivot rod, short	2
109	10158	Pivot rod, long	2
110	03002	Nut, 5/16" U.N.F.	12
111	04003	Washer, spring 5/16" i.d.	12
112	04002	Washer, plain, 5/16" i.d.	16
113	15428	Bush, rubber, suspension	16
114	03028	Locknut, 1" U.N.F.	2
115	04011	Washer, penny, ½" i.d.	2
116	15603	Bush, rubber, shock absorber	4
117	05002	Split pin, 1/8" dia.	2
118	03004	Nut, ½" U.N.F.	10

CAREI — "Initial fill" oil for spitfire and TR6 differentials is **SHELL S7514**

A/R — As required

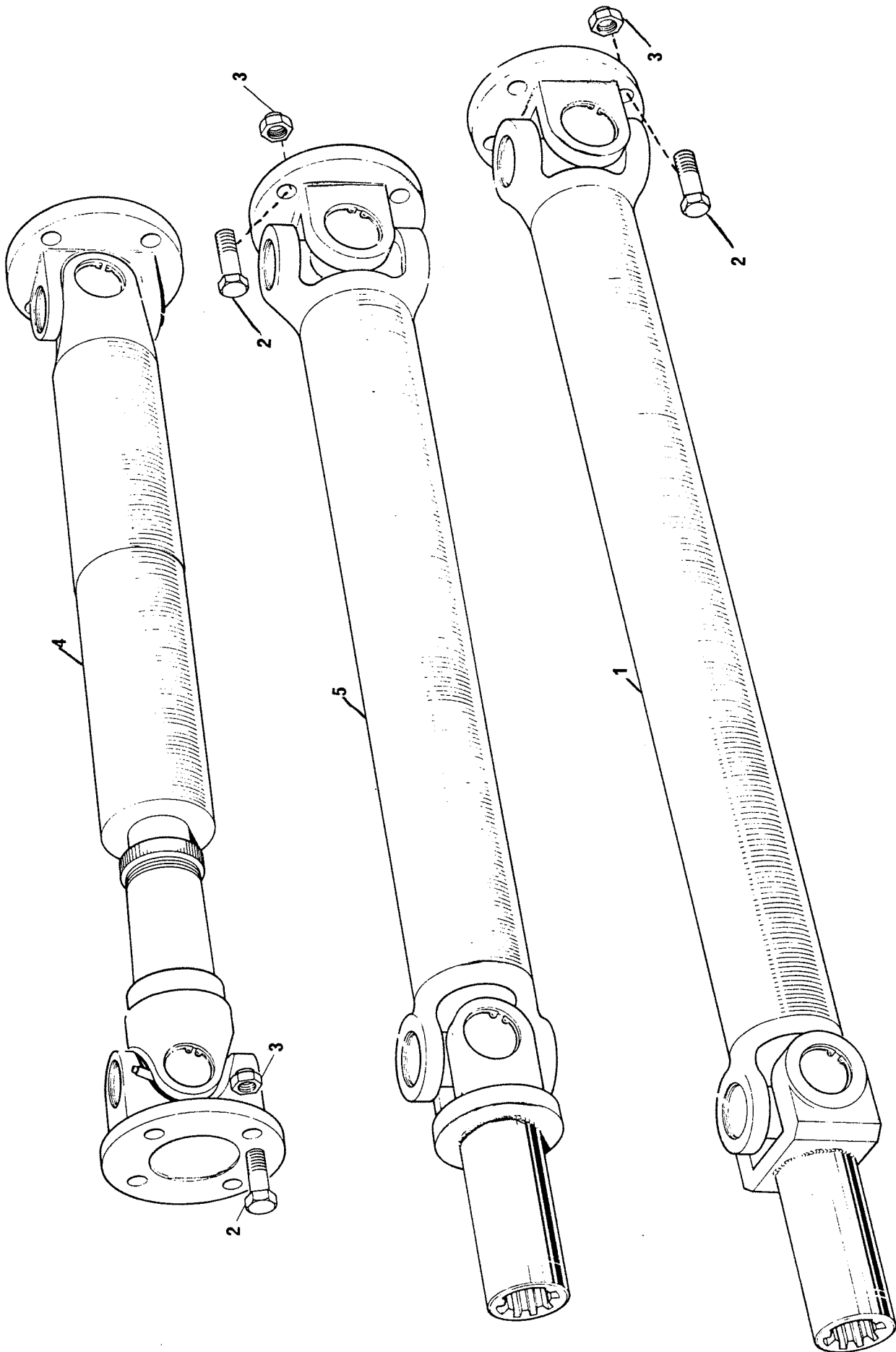


Salisbury — DIFFERENTIAL AND AXLE ASSEMBLY
(From Chassis No. 3919)

Item No.	Part No.	Description	Qty.
1	15384	Differential assembly	1
2	15386	Oil Seal, pinion	1
3	15397	Oil Seal	4
4	15396	Gasket, gear carrier cover	1
N/I	15611	Spacer, collapsible	3
DIFFERENTIAL CARRIER AND STABILISER BRACKET			
5	10166	Bracket, stabiliser, differential R.H. (from Chassis No. 4039)	1
	10448	Bracket, stabiliser, differential L.H. (from Chassis No. 4039)	1
6	04002	Washer, plain, 5/16" i.d.	4
7	01065	Bolt, hex. hd., 5/16" U.N.C. x 1" long	4
8	04013	Washer, plain, 1/2" i.d.	2
9	03013	Nut, self-locking, 1/2" U.N.F.	2
10	01018	Bolt, hex. hd. 1/2" U.N.F. x 2 1/2" long	2
11	15428	Bush, stabiliser bracket, differential	2
12	10163	Carrier, differential	1
13	01063	Bolt, hex. hd., special, 7/16" U.N.C. x 1 1/4" long	4
14	04027	Washer, plain, 7/16" i.d.	4
15	10164	Plate, mounting, differential carrier (with handbrake cable guides)	A/R
	10447	Plate, mounting, differential carrier (without handbrake cable guides)	A/R
16	01064	Bolt, hex. hd. special, 5/8" U.N.F. x 4 1/2" long	4
17	15385	Insulator, mounting, flexible, differential carrier	4
18	04058	Washer, special, 5/8" i.d.	4
19	04059	Washer, special, 5/8" i.d.	4
20	03027	Nut, self-locking 5/8" U.N.F.	4
21	01027	Bolt, hex. hd., 3/8" U.N.F. x 1 1/2" long	8
22	04004	Washer, plain, 3/8" i.d.	8
23	03012	Nut, self-locking, 3/8" U.N.F.	8
24	03013	Nut, self-locking, 1/2" U.N.F.	4
25	04013	Washer, plain, 1/2" i.d.	4
26	01018	Bolt, hex. hd., 1/2" U.N.F. x 2 1/2" long	4
DRIVE SHAFT AND HUB ASSEMBLY			
N/I	10165	Drive shaft and hub assembly	1
N/I	15531	Flange, companion, differential to drive shaft	2

N/I — Not Illustrated

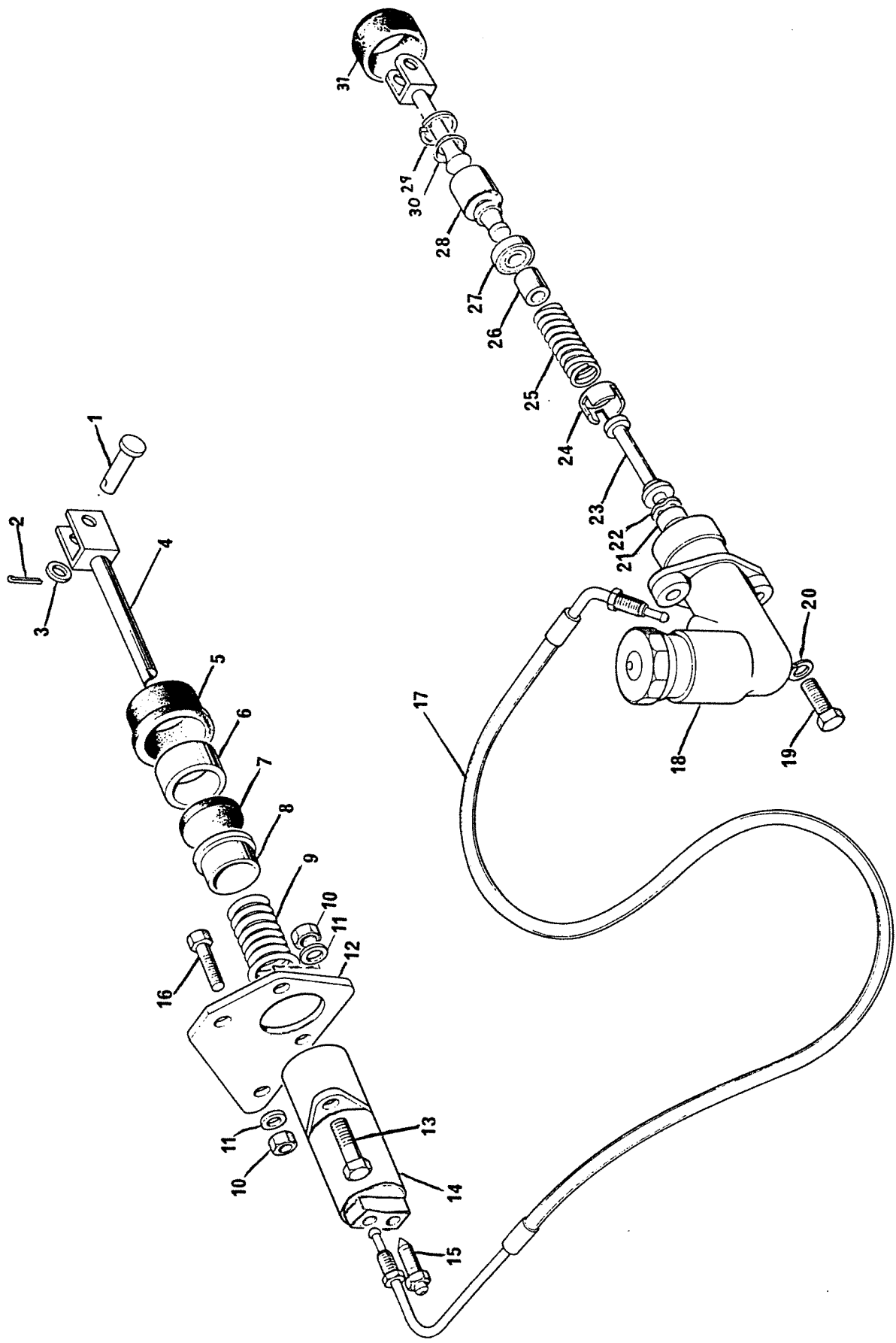
Note:— All further items required for this assembly are illustrated and listed on pages 3.11 to 3.15 inclusive.



PROPELLOR SHAFT ASSEMBLIES

<i>Item No.</i>	<i>Part No.</i>	<i>Description</i>	<i>Qty.</i>
1	15510	Propellor shaft assembly – 1600M (up to Chassis No. 3380)	1
	15013	Propellor shaft assembly – 1600M (from Chassis No. 3381)	1
N/I	15028	Universal joint	2
	15388	Universal joint	2
2	01016	Bolt, special, 3/8" U.N.F. x 1.1/8" long	4
3	03012	Nut, self-locking, 3/8" U.N.F.	4
4	15518	Propellor shaft assembly – 2500M (up to Chassis No. 3918)	1
*	15517	Propellor shaft assembly – 2500M (up to Chassis No. 3918)	1
	15511	Propellor shaft assembly – 2500M (from Chassis No. 3919)	1
N/I	15028	Universal joint	2
	15388	Universal joint	2
2	01016	Bolt, special, 3/8" U.N.F. x 1.1/8" long	8
3	03012	Nut, self-locking, 3/8" U.N.F.	8
5	15530	Propellor shaft assembly – 3000M, Taimar and Convertible (up to Chassis No. 3918)	1
*	15513	Propellor shaft assembly – 3000M, Taimar and Convertible (up to Chassis No. 3918)	1
	15512	Propellor shaft assembly – 3000M, Taimar and Convertible (from Chassis No. 3919)	1
*	15514	Propellor shaft assembly – 3000M, Taimar and Convertible (from Chassis No. 3919)	1
N/I	15028	Universal joint	2
N/I	15388	Universal joint	2
2	01016	Bolt, special, 3/8" U.N.F. x 1.1/8" long	4
3	03012	Nut, self-locking, 3/8" U.N.F.	4

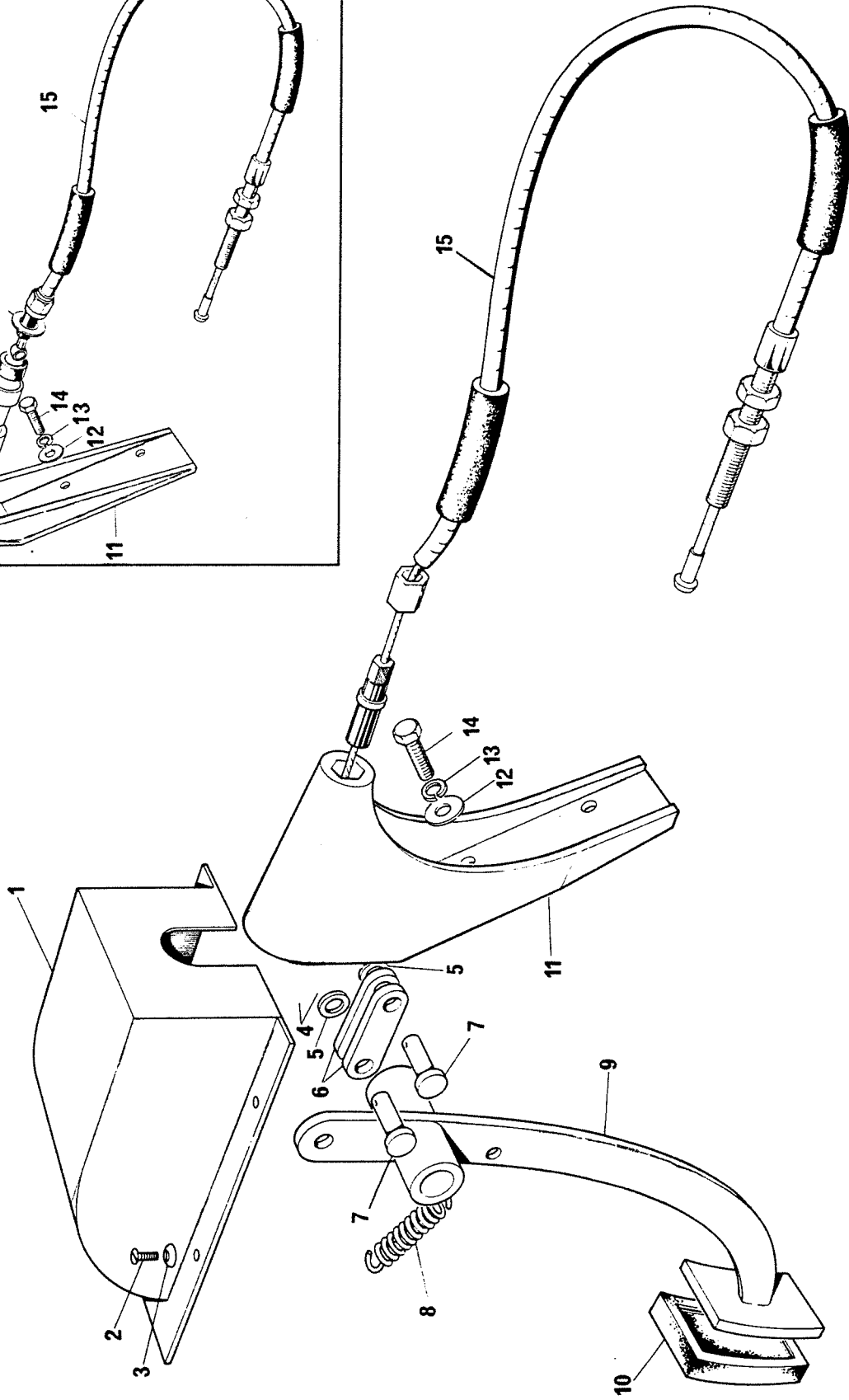
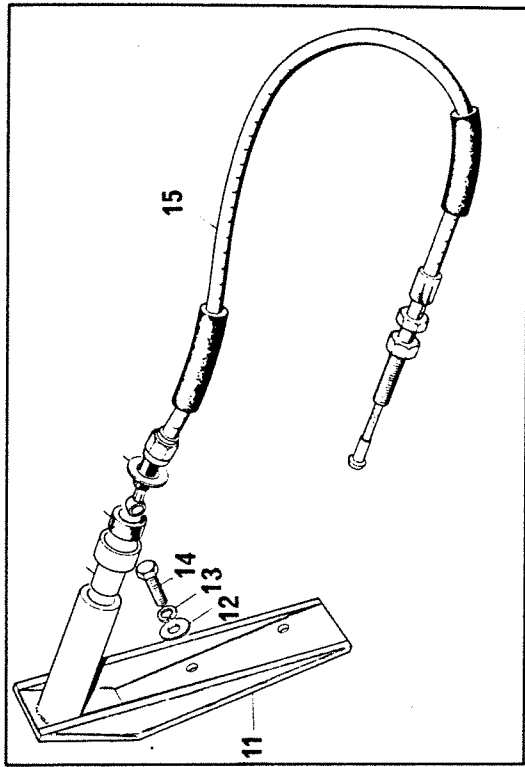
* These items are for cars fitted with overdrive.



HYDRAULIC CLUTCH – 2500M

<i>Item No.</i>	<i>Part No.</i>	<i>Description</i>	<i>Qty.</i>
1	15540	Clevis pin	1
2	05002	Split pin, 1/8" dia.	1
3	04013	Washer, plain, 1/2" i.d.	1
4	15543	Operating rod	1
5	15544	Rubber boot	1
6	15545	Piston	1
7	15546	Seal	1
8	15547	Spring cup	1
9	15548	Spring	1
10	03002	Nut, 5/16" UNF	2
11	04002	Washer, plain, 5/16" i.d.	4
12	15551	Mounting plate	1
13	01001	Bolt, hex. hd. 5/16" UNF x 1" long	2
14	15553	Slave cylinder	1
N/I	15575	Repair kit, slave cylinder	A/R
15	15554	Screw, bleed	1
16	01017	Bolt, hex. hd., 5/16" UNF x 1 1/4" long	2
17	15558	Flexible pipe	1
18	15559	Master cylinder	1
N/I	15574	Repair kit, master cylinder	A/R
19	01007	Bolt, hex. hd. 5/16" UNF x 1 1/2" long	2
20	04003	Washer, spring, 5/16" i.d.	3
21	15562	Seal	1
22	15563	Washer, spring, special	2
23	15564	Push rod	1
24	15565	Cup	1
25	15566	Spring	1
26	15567	Collar	1
27	15568	Seal	1
28	15569	Piston	1
29	15571	Circlip	1
30	15572	Operating rod	1
31	15573	Rubber boot	1

N/I – Not Illustrated
A/R – As Required



**MECHANICAL CLUTCH PEDAL ASSEMBLY – 1600M, 3000M
TAIMAR AND CONVERTIBLE**

<i>Item No.</i>	<i>Part No.</i>	<i>Description</i>	<i>Qty.</i>
1	10180	Pedal housing	1
2	02008	Screw, self-tapping, No.6 x 5/8" long	4
3	04014	Washer, cup, 1/8" i.d.	4
4	03010	Nut, self-locking, 1/4" U.N.F.	2
5	04008	Washer, plain, 1/4" i.d.	4
6	10181	Link	2
7	01009	Bolt, hex. hd. 1/4" U.N.F. x 1" long	2
8	15585	Spring, return	1
9	10182	Pedal, clutch	1
10	15586	Rubber, pedal	1
11	15587	Bracket, mounting (replaced by Part No. 15588)	1
	15588	Bracket, mounting (replaces Part No. 15587)	1
12	04015	Washer, penny, 5/16" i.d.	2
13	04003	Washer, spring, 5/16" i.d.	2
14	01001	Bolt, hex. hd. 5/16" U.N.F. x 1" long	2
15	15069	Cable assembly, clutch – 1600M	1
	025QD17A	Cable assembly, clutch – 3000M, Taimar and Convertible	1

