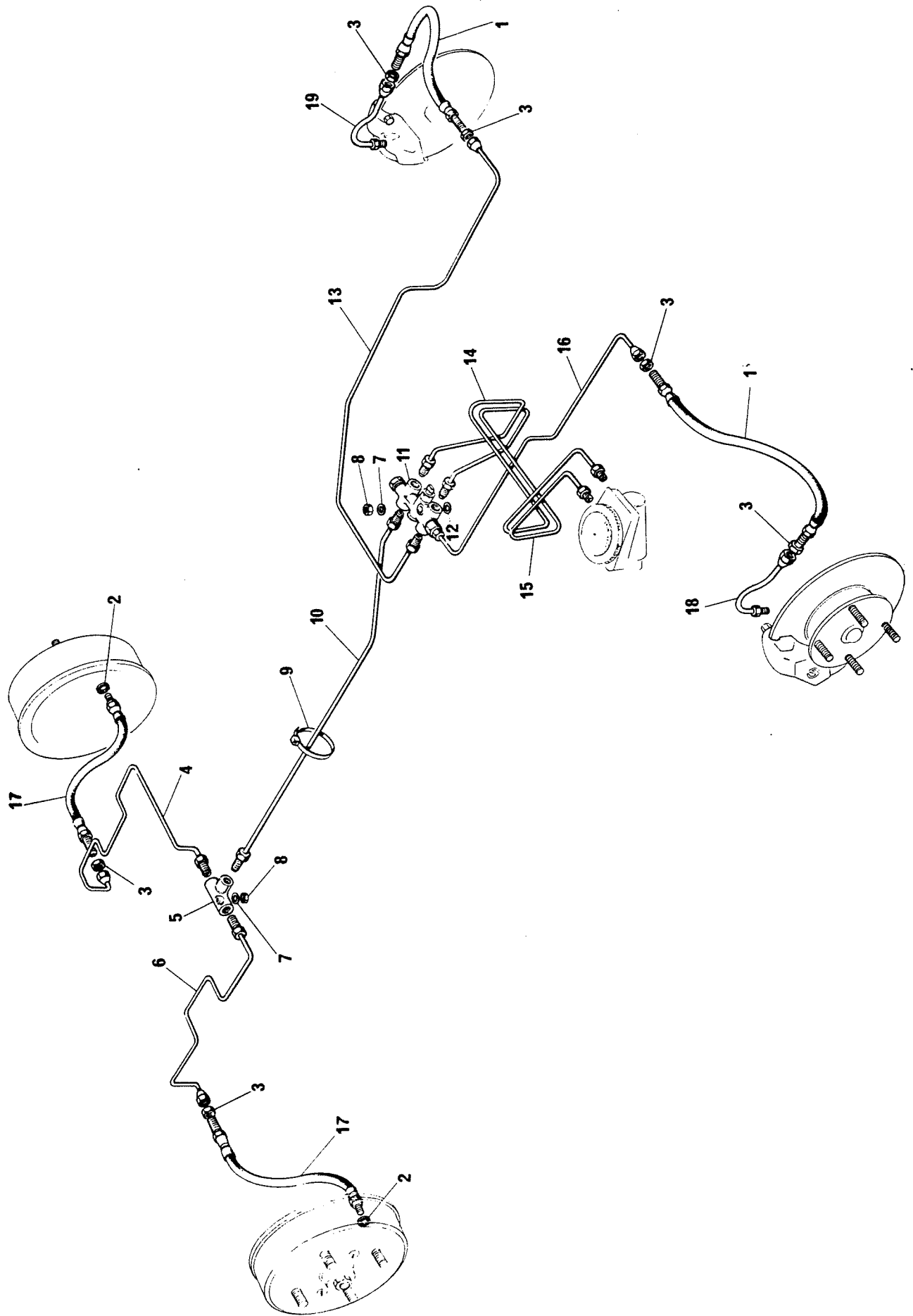


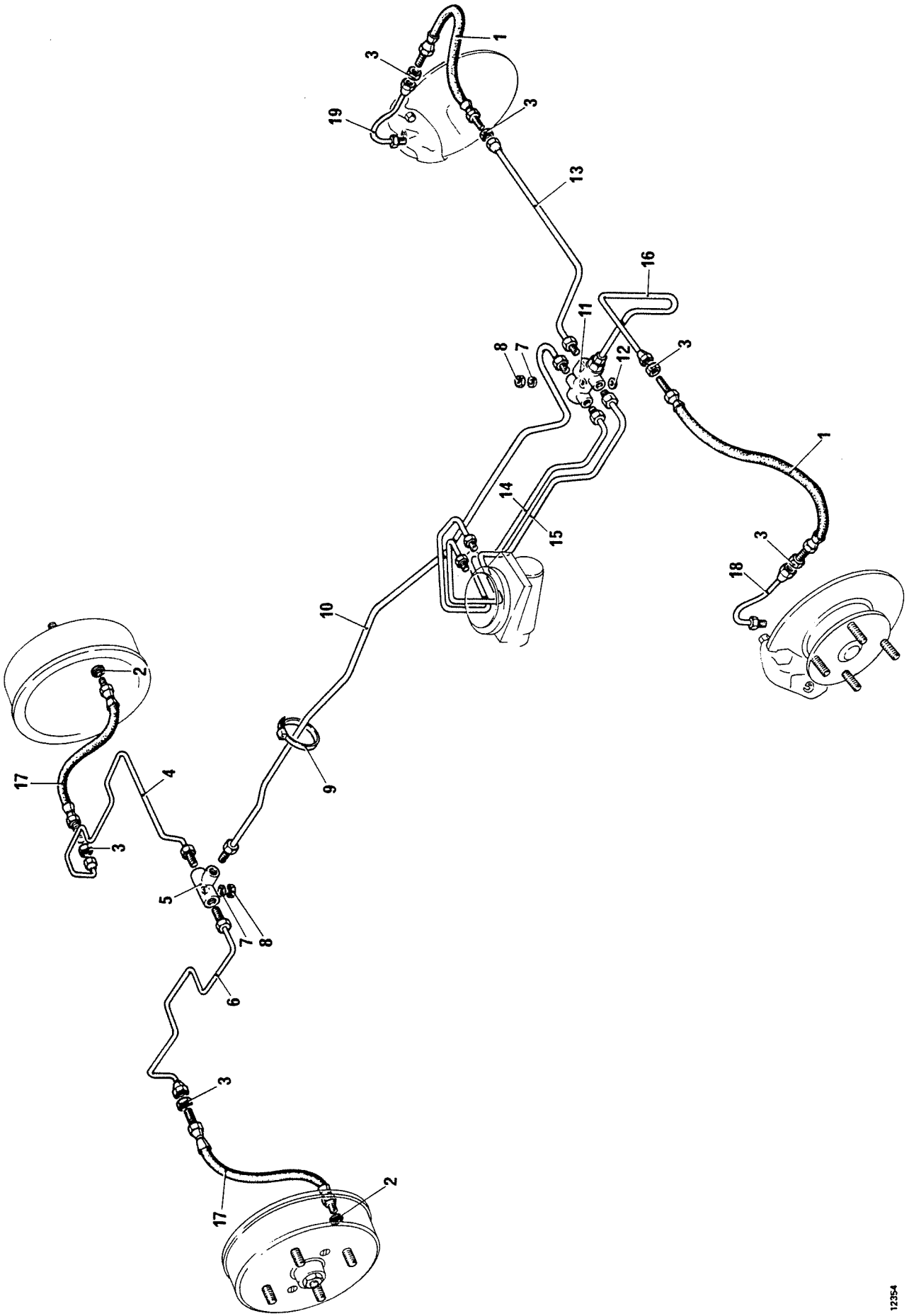
SECTION 5

Brake Assemblies



BRAKE PIPING (UP TO CHASSIS No. 3277)

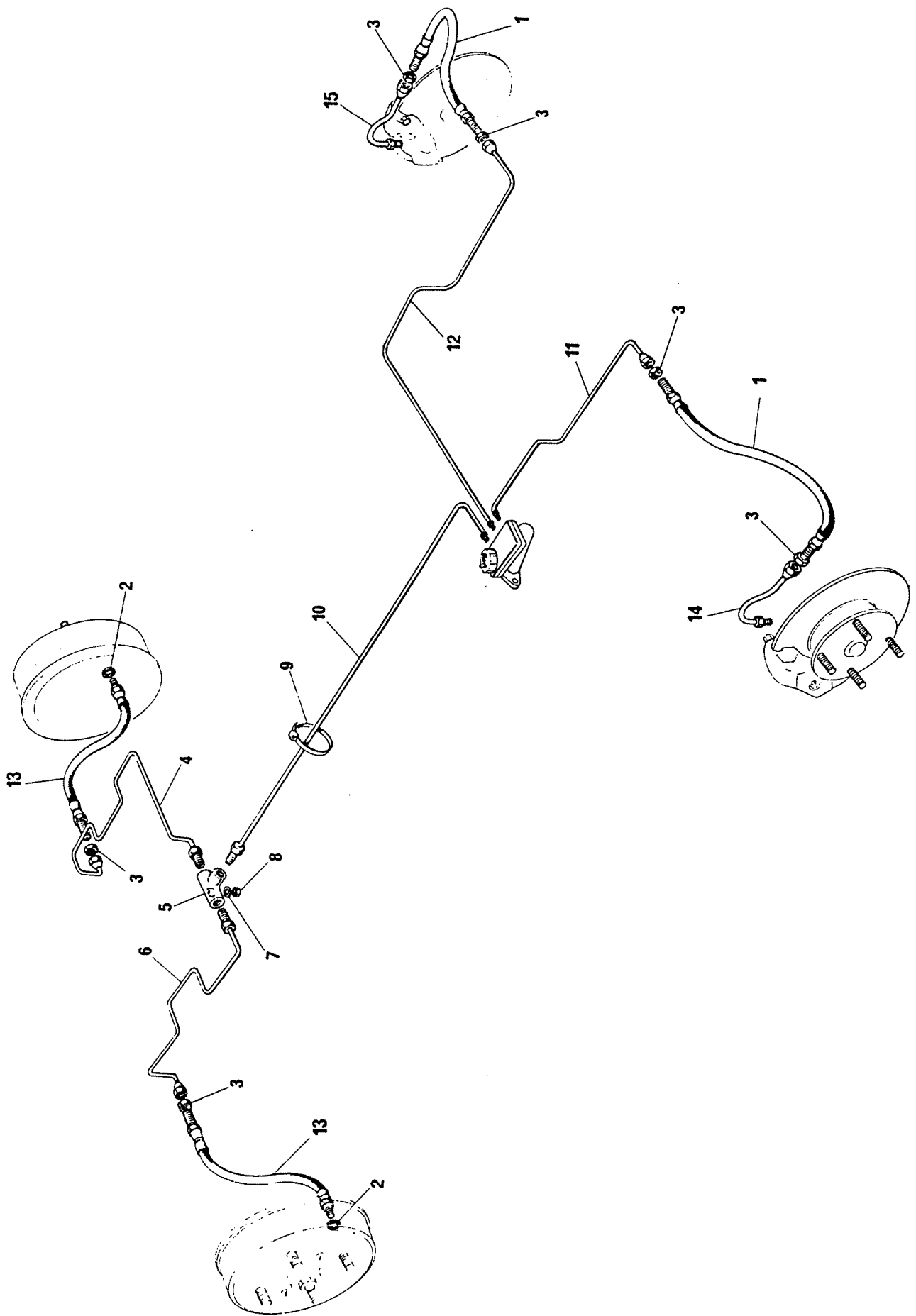
<i>Item No.</i>	<i>Part No.</i>	<i>Description</i>	<i>Qty.</i>
1	15766	Hose, Front	2
2	15751	Seal	2
3	03018	Locknut, 3/8" UNF	6
4	10207	Pipe, rear L.H.	1
5	15753	Connector, Brass, 3-way	1
6	10208	Pipe, rear R.H.	1
7	04009	Washer, spring, 1/4" i.d.	2
8	03008	Nut, 1/4" UNF	2
9	05006	Tie wrap	A/R
10	10209	Pipe, 3-way connector to pressure differential warning actuator	1
11	15759	Pressure differential warning actuator	1
12	04008	Washer, plain 1/4" i.d.	1
13	10210	Pipe, front L.H.	1
14	10211	Pipe, master cylinder to pressure differential warning actuator	1
15	10212	Pipe, master cylinder to pressure differential warning actuator	1
16	10213	Pipe, front R.H.	1
17	15765	Hose	2
18	15762	Jump pipe, R.H.	1
19	15763	Jump pipe, L.H.	1



BRAKE PIPING (FROM CHASSIS No. 3278)

<i>Item No.</i>	<i>Part No.</i>	<i>Description</i>	<i>Qty.</i>
1	15750	Hose (up to Chassis No. 3379)	2
	15766	Hose, front (from Chassis No. 3380)	2
2	15751	Seal	2
3	03018	Locknut 3/8" UNF	6
4	10207	Pipe, rear L.H.	1
5	15753	Connector, Brass, 3 way	1
6	10208	Pipe, rear R.H.	1
7	04009	Washer, spring 1/4" i.d.	2
8	03008	Nut 1/4" UNF	2
9	05006	Tie wrap	A/R
10	10214	Pipe, 3 way connector to pressure differential warning actuator	1
11	15759	Pressure differential warning actuator (up to Chassis No. 3379)	1
	15764	Pressure differential warning actuator (from Chassis No. 3380)	1
12	04008	Washer, plain, 1/4" i.d.	1
13	10215	Pipe, front L.H.	1
14	10216	Pipe, master cylinder to pressure differential warning actuator	1
15	10217	Pipe, master cylinder to pressure differential warning actuator	1
16	10218	Pipe, front, R.H.	1
17	15761	Hose (up to Chassis No. 3379)	2
	15765	Hose, rear (from chassis No. 3380)	2
18	15762	Jump pipe, R.H.	1
19	15763	Jump pipe, L.H.	1

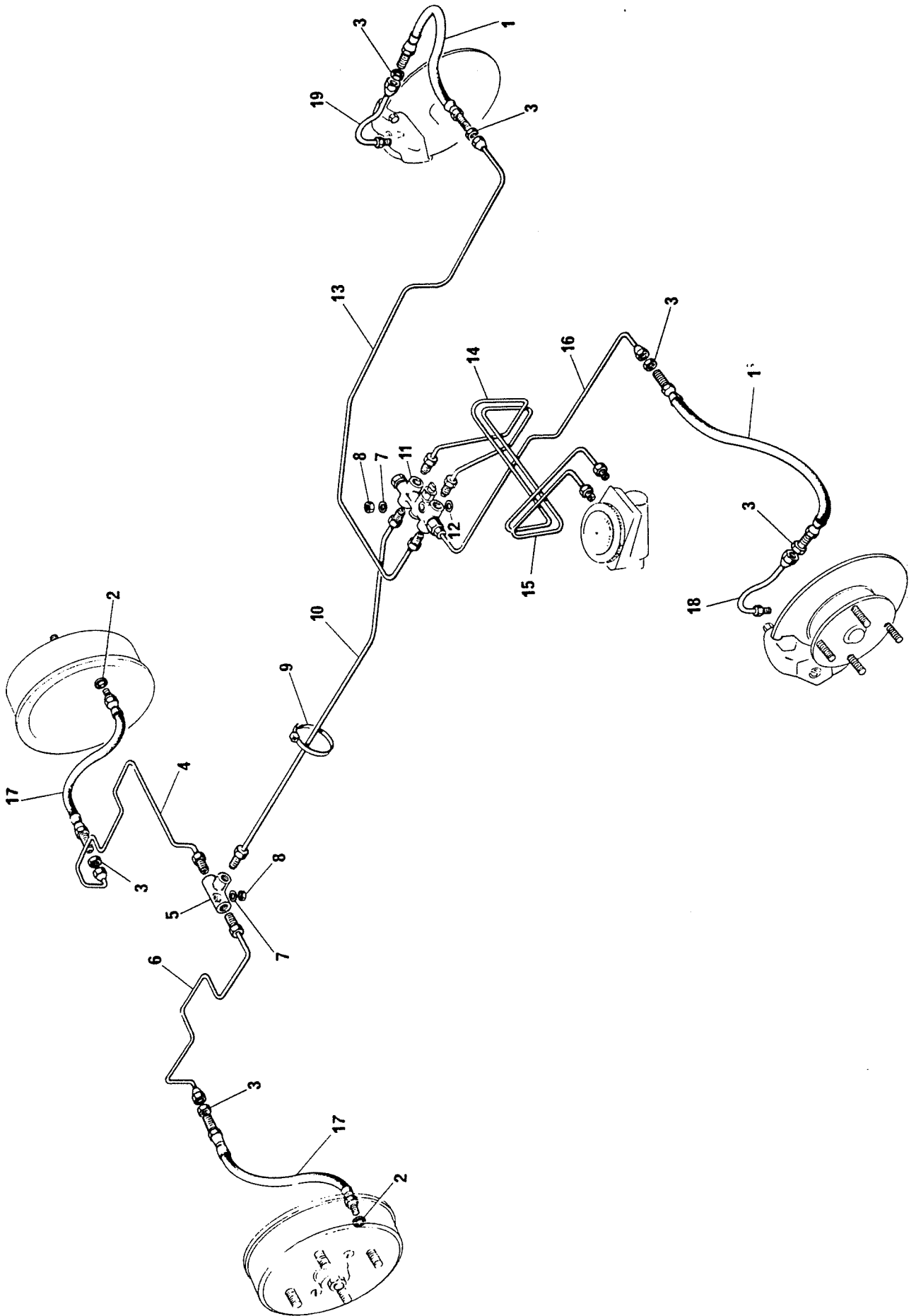
A/R — As required



BRAKE PIPING

CARS WITHOUT PRESSURE DIFFERENTIAL WARNING ACTUATOR

<i>Item No.</i>	<i>Part No.</i>	<i>Description</i>	<i>Qty.</i>
1	15766	Hose, front	2
2	15751	Seal	2
3	03018	Locknut, 3/8" U.N.F.	6
4	10207	Pipe, rear L.H.	1
5	15753	Connector, brass, 3-way	1
6	10208	Pipe, rear R.H.	1
7	04009	Washer, spring 1/4-Lid	1
8	03008	Nut 1/2" U.N.F.	1
9	05006	Tie-wrap	A/R
10	10442	Pipe, servo unit to 3-way connector R.H.D.	1
	10443	Pipe, servo unit to 3-way connector L.H.D.	1
11	10444	Pipe, servo unit to R.H. front wheel	1
12	10445	Pipe, servo unit to L.H. front wheel	1
13	15765	Hose, rear	2
14	15762	Jump pipe R.H.	1
15	15763	Jump pipe L.H.	1
	10446	Jump pipe L.H.	1



5.2a

'M' SERIES - BRAKE PIPES.

Illustrated on Page 5.2a.

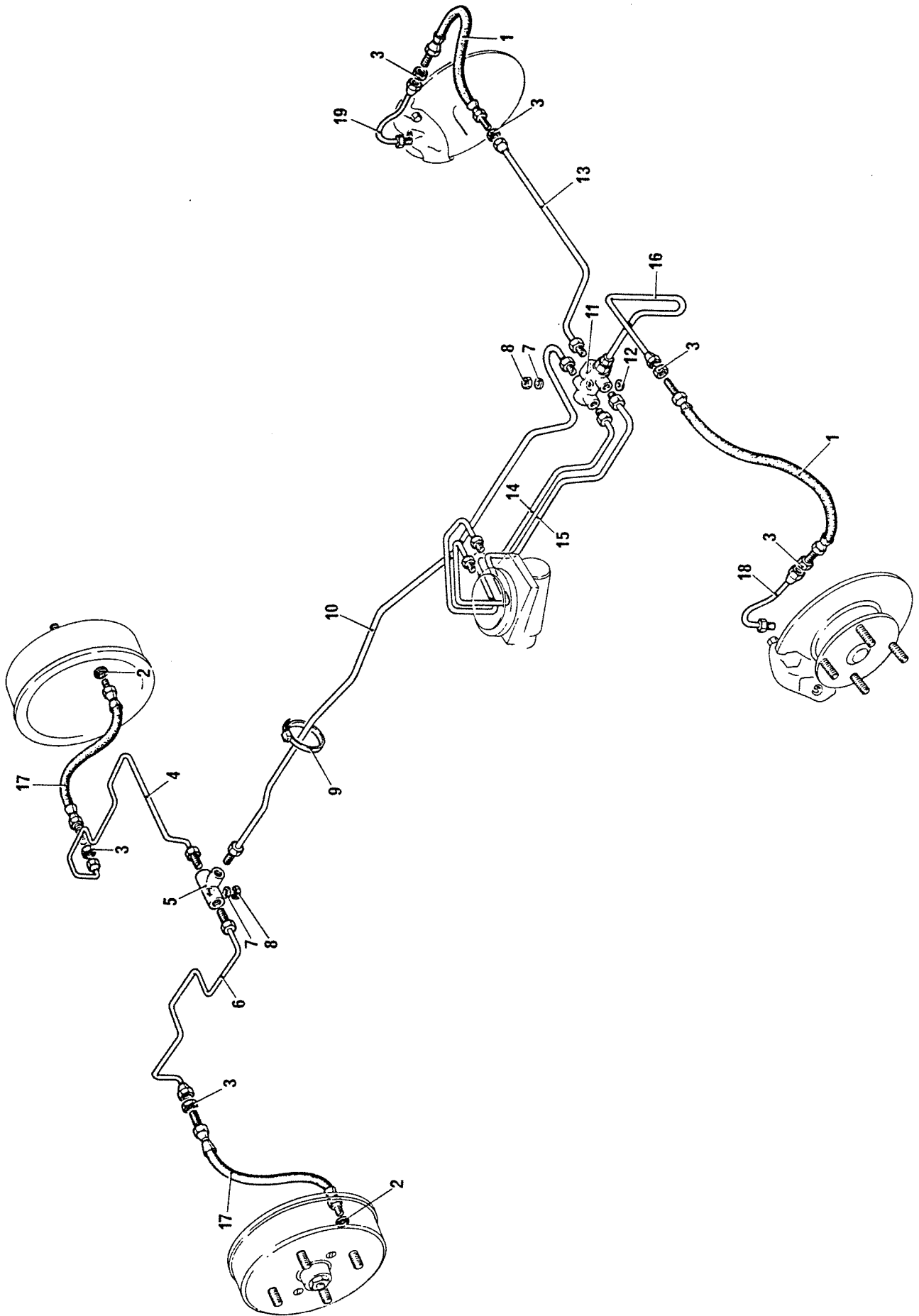
Item No.	TVR Part No.	Length in ins.	Description	Qty.	Item No.	Spec.	M or F	Qty.
4	10207	2'8"	Pipe, rear L.H.	1	20	3/8" U.N.F.	M	1
					21	3/8" U.N.F.	F	1
6	10208	1'11"	Pipe, rear R.H.	1	22	3/8" U.N.F.	M	1
					23	3/8" U.N.F.	F	1
10	10209		Pipe, 3-way connector to press. diff. warning actuator	1	24	3/8" U.N.F.	M	1
					25	metric (S)	M	1
13	10210		Pipe, front L.H.	1	26	metric (L)	M	1
					27	3/8" U.N.F.	F	1
14	10211		Pipe, master cylinder to press. diff. warning actuator	1	30	7/16" U.N.F.	M	1
					31	metric (S)	M	1
15	10212		Pipe, master cylinder to press. diff. warning actuator	1	32	3/8" U.N.F.	M	1
					33	metric (L)	M	1
16	10213		Pipe, front R.H.	1	28	metric (L)	M	1
					29	3/8" U.N.F.	F	1
18	15762	4 1/4"	Pipe, jump R.H.	1	36	metric (S)	M	1
					37	3/8" U.N.F.	F	1
19	15763	4 1/4"	Pipe, jump L.H.	1	34	metric (S)	M	1
					35	3/8" U.N.F.	F	1

(Hoses)

Item No.	TVR Part No.	Description	Qty.	Manufacturer's Part No.
17	15750	Hose	2	
1	15761	Hose	2	

NOTES

(S) - Small
(L) - Large
M - Male
F - Female



5.4 a

'M' SERIES - BRAKE PIPES.

Illustrated on Page 5.4a.

Item No.	TVR Part No.	Length in ins.	Description	Qty.	Item No. Spec.	M or F	Qty.
4	10207	2'8"	Pipe, rear L.H.	1	20 $\frac{3}{8}$ " U.N.F.	M	1
					21 $\frac{3}{8}$ " U.N.F.	F	1
6	10208	1'11"	Pipe, rear R.H.	1	22 $\frac{3}{8}$ " U.N.F.	M	1
					23 $\frac{3}{8}$ " U.N.F.	F	1
10	10214	8'1"	Pipe, 3-way connector to press. diff. warning actuator (R.H.D.)	1	24 $\frac{3}{8}$ " U.N.F. 25 metric (S)	M M	1 1
10	10435	9'9"	Pipe 3-way connector to press. diff. warning actuator (L.F.D.)	1	24 $\frac{3}{8}$ " U.N.F. 25 metric (L)	M M	1 1
13	10215	2'8"	Pipe, front L.H.	1	26 metric (L)	M	1
					27 $\frac{3}{8}$ " U.N.F.	F	1
14	10216	4'5"	Pipe, master cylinder to press. diff. warning actuator	1	30 7/16" U.N.F.	M	1
					31 metric (S)	M	1
15	10217	4'10"	Pipe, master cylinder to press. diff. warning actuator	1	32 $\frac{3}{8}$ " U.N.F.	M	1
					33 metric (L)	M	1
16	10218	1'2"	Pipe, front R.H.	1	28 metric (L)	M	1
					29 $\frac{3}{8}$ " U.N.F.	F	1
18	15762	4 $\frac{1}{4}$ "	Pipe, jump R.H.	1	36 metric (S)	M	1
					37 $\frac{3}{8}$ " U.N.F.	F	1
19	15763	4 $\frac{1}{4}$ "	Pipe, jump L.H.	1	34 metric (S)	M	1
					35 $\frac{3}{8}$ " U.N.F.	F	1

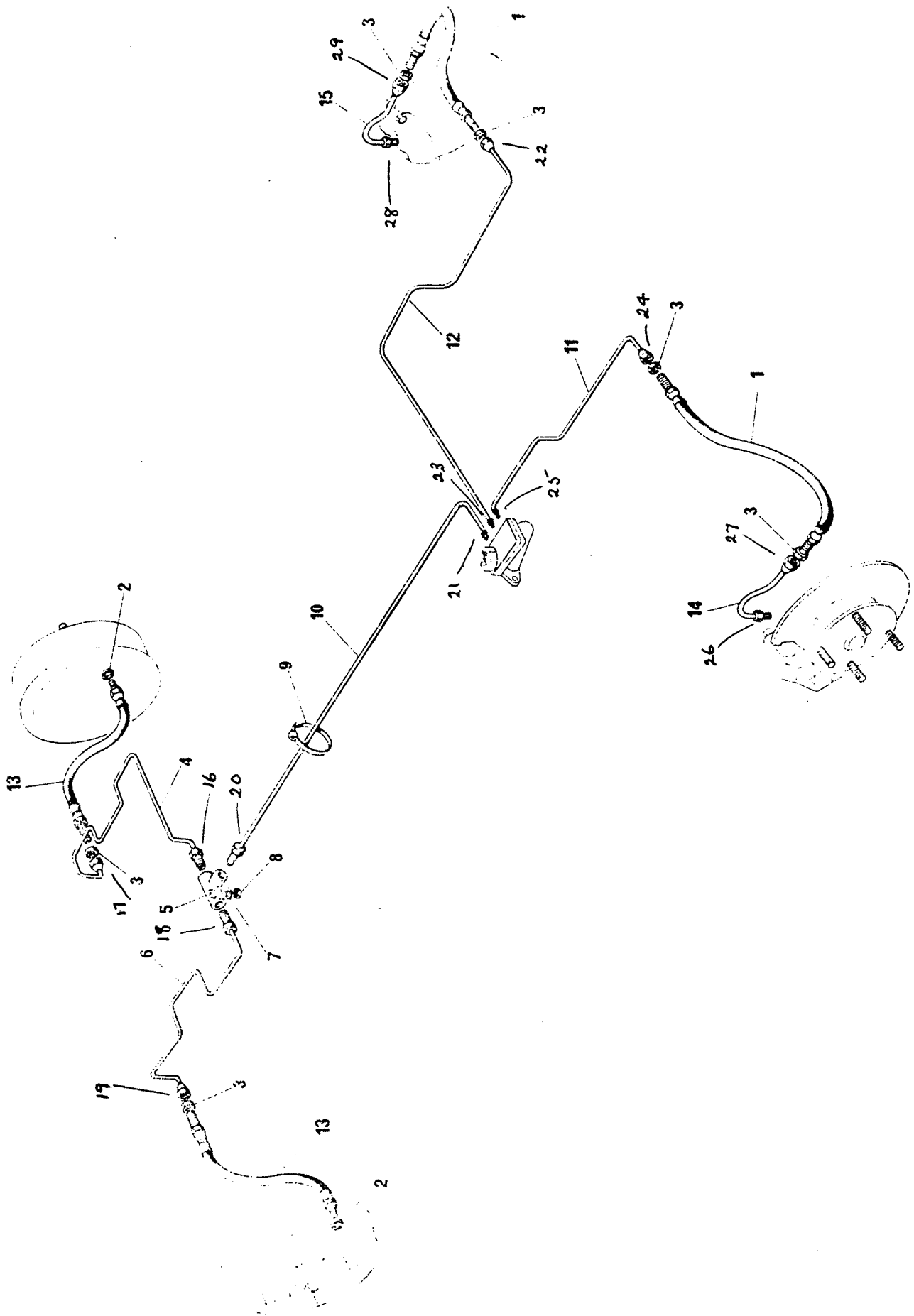
(Hoses)

Item No.	TVR Part No.	Description	Qty.	Manufacturer's Part No.
1	15750	Hose, front	2	
	15766	Hose, front	2	74047402
17	15761	Hose, front	2	74047229
	15765	Hose, rear	2	74047408

NOTES:

(S) - Small
(L) - Large
M - Male
F - Female

5.6a



'M' SERIES - BRAKE PIPES.

Illustrated on Page 5.6a.

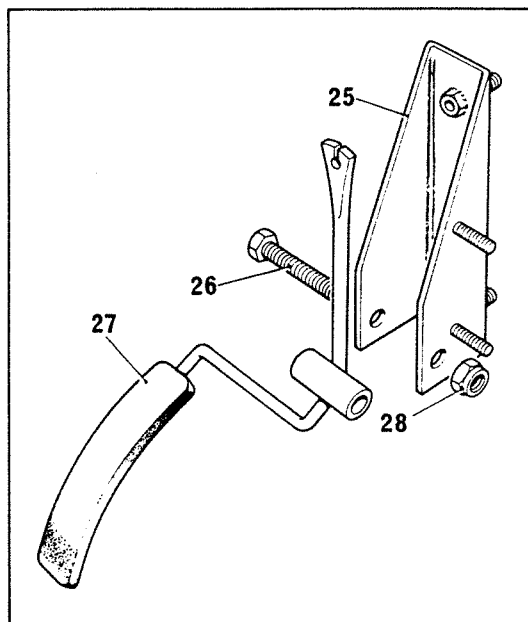
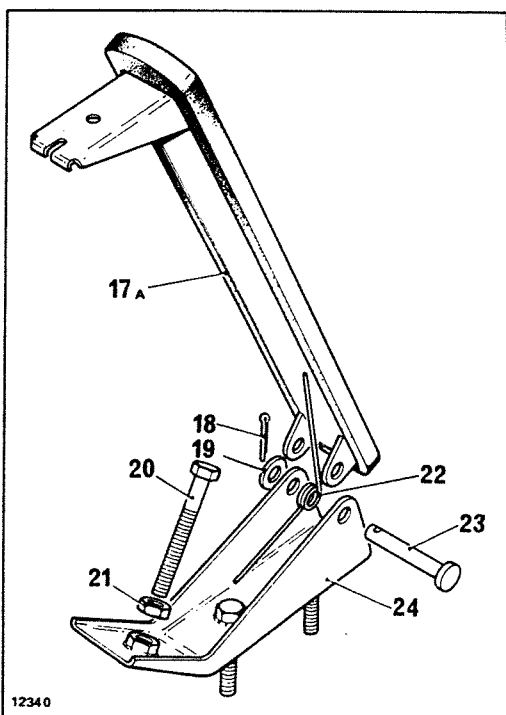
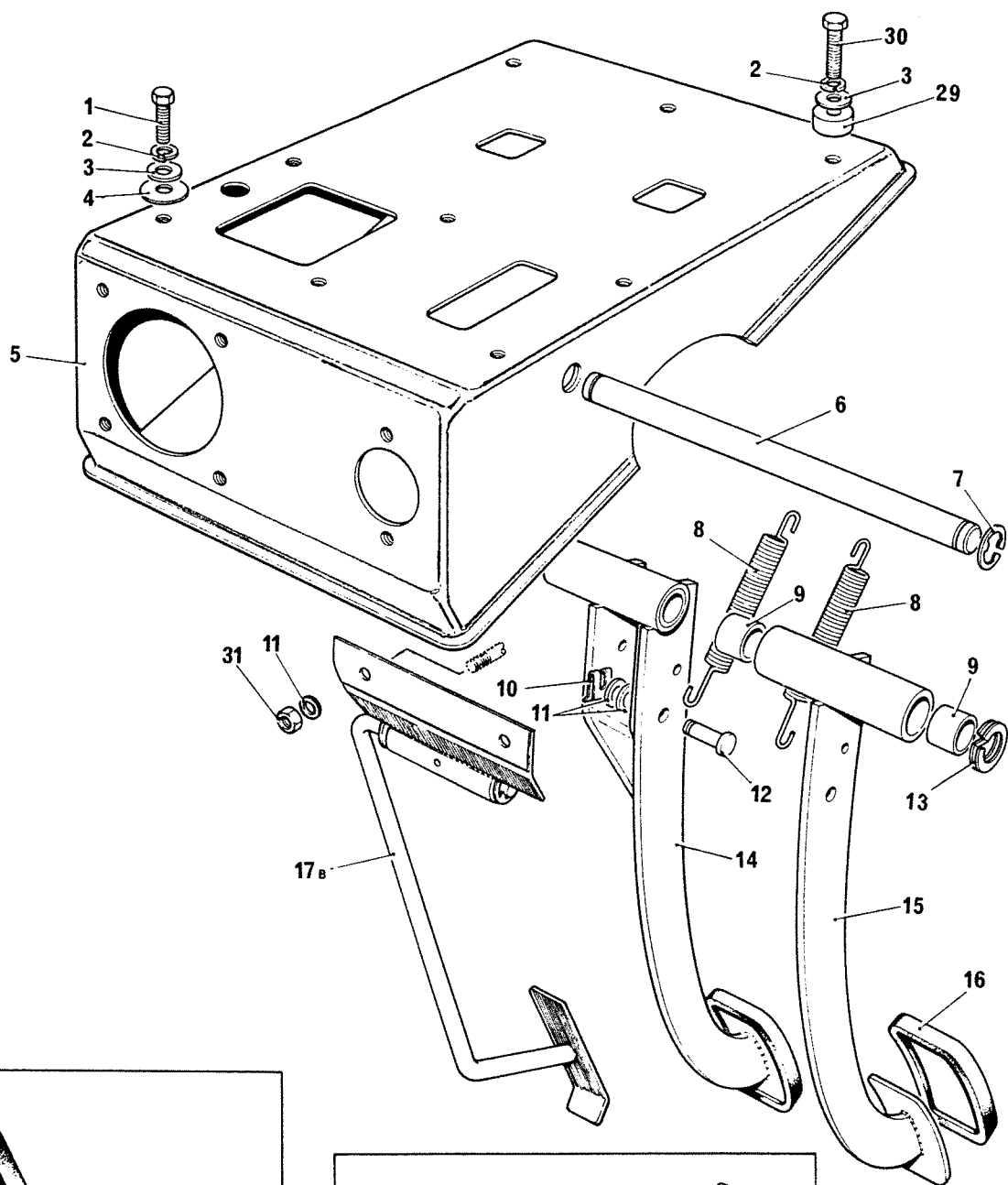
Item No.	TVR Part No.	Length in ins.	Description	Qty.	Item No.	Spec.	M or F	Qty.
4	10207	2'8"	Pipe, rear L.H.	1	16	$\frac{3}{8}$ " U.N.F.	M	1
					17	$\frac{3}{8}$ " U.N.F.	F	1
6	10208	1'11"	Pipe, rear R.H.	1	18	$\frac{3}{8}$ " U.N.F.	M	1
					19	$\frac{3}{8}$ " U.N.F.	F	1
10	10442	7'1 $\frac{1}{4}$ "	Pipe, servo unit to 3-way connector (R.H.D.)	1	20	$\frac{3}{8}$ " U.N.F.	M	1
					21	metric (S)	M	1
10	10443	8'8"	Pipe, servo unit to 3-way connector (L.H.D.)	1	20	$\frac{3}{8}$ " U.N.F.	M	1
					21	metric (S)	M	1
11	10444	4'4 $\frac{1}{2}$ "	Pipe, servo unit to R.H. front wheel	1	22	$\frac{3}{8}$ " U.N.F.	F	1
					23	metric (S)	M	1
12	10445	6'	Pipe, servo unit to L.H. front wheel	1	24	$\frac{3}{8}$ " U.N.F.	M	1
					25	metric (S)	M	1
14	15762	4 $\frac{1}{4}$ "	Pipe, jump R.H.	1	216	metric (S)	M	1
					27	$\frac{3}{8}$ " U.N.F.	F	1
15	15763	4 $\frac{1}{4}$ "	Pipe, jump L.H.	1	28	metric (S)	M	1
					29	$\frac{3}{8}$ " U.N.F.	F	1
15	10446	6'4"	Pipe, jump L.H. (Turbo)	1	28	metric (S)	M	1
					29	$\frac{3}{8}$ " U.N.F.	F	1

(Hoses)

Item No.	TVR Part No.	Description	Qty.	Manufacturer's Part No.
1	15766	Hose, front	2	74047402
13	15765	Hose, rear	2	74047229 74047408

NOTES

(S) - Small
(L) - Large
M - Male
F - Female

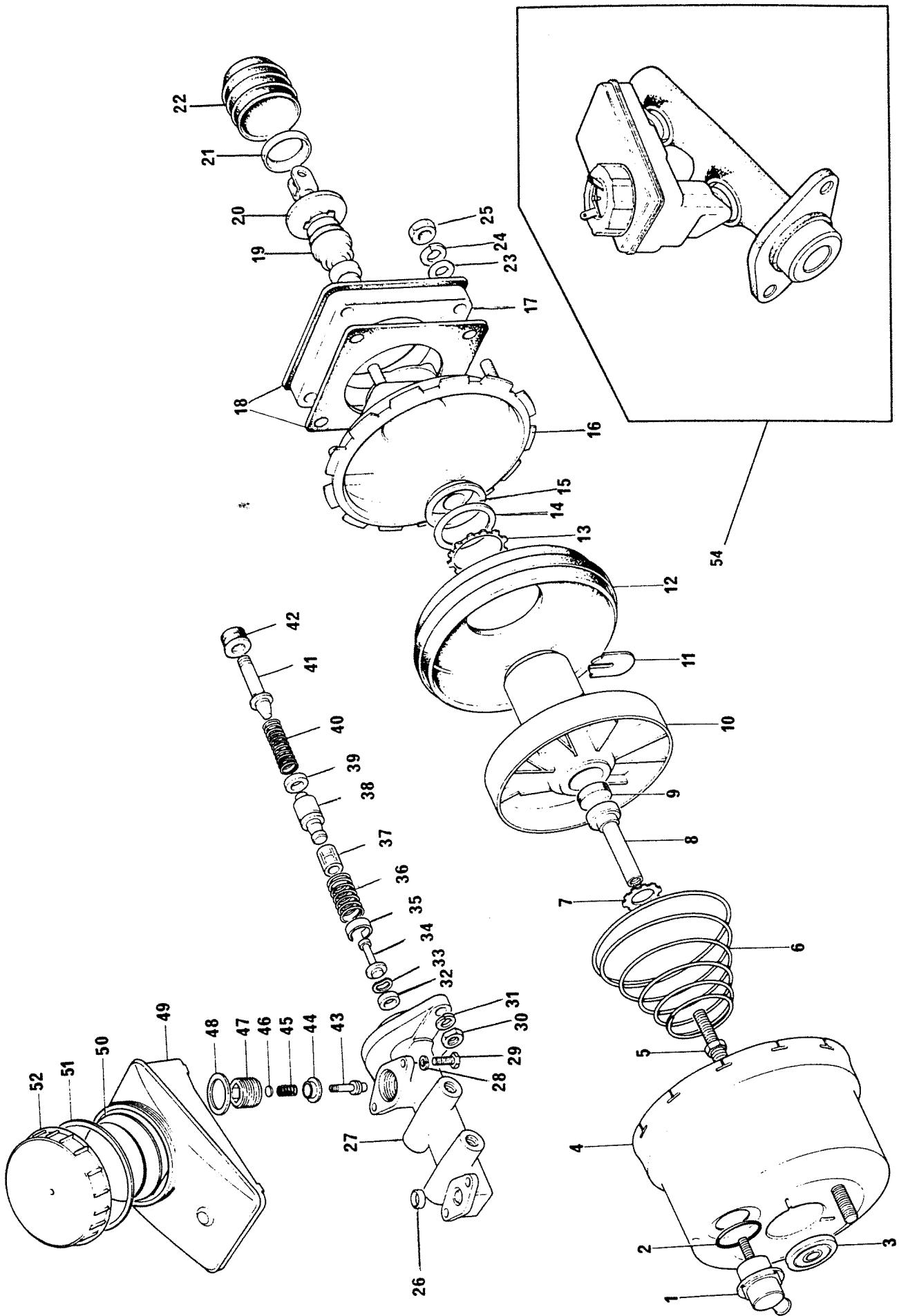


BRAKE, CLUTCH AND ACCELERATOR PEDAL ASSEMBLY

<i>Item No.</i>	<i>Part No.</i>	<i>Description</i>	<i>Qty.</i>
1	01013	Bolt, hex. hd. ¼" U.N.F. x 1½" long	8
2	04009	Washer, spring, ¼" i.d.	9
3	04008	Washer, plain, ¼" i.d.	9
4	04012	Washer, spacing, penny, ¼" i.d.	9
5	10220	Pedal box	1
6	15774	Pedal shaft	1
7	05007	Circlip	2
8	15776	Pedal return spring	2
9	15777	Bearing bush	4
10	05008	Clip, split, 5/16"	2
11	04002	Washer, plain, 5/16" i.d.	4
12	15780	Pin	2
13	04019	Double-coil washer	2
14	10221	Brake pedal	1
15	10222	Clutch pedal – 2500M and 3000M with overdrive	1
16	15586	Pedal rubber	2
17A	15782	Accelerator pedal (up to Chassis No. 3054)	1
*17B	15792	Accelerator pedal assembly (from Chassis No. 3055)	1
18	05002	Split pin, 1/8" dia. (up to Chassis No. 3054)	1
19	04013	Washer, plain, ½" i.d. (up to Chassis No. 3054)	1
20	01026	Bolt, adjusting, hex hd., ¼" U.N.F. x 3" long (up to Chassis No. 3054)	1
21	03020	Locknut, ¼" U.N.F. (up to Chassis No. 3054)	1
22	15787	Return spring (up to Chassis No. 3054)	1
23	15788	Pin (up to Chassis No. 3054)	1
24	10223	Mounting (up to Chassis No. 3054)	1
25	10224	Pedal bracket (early cars)	1
26		Bolt (early cars)	1
27	15790	Accelerator pedal (early cars)	1
28		Nut, self-locking (early cars)	1
29	15794	Pedal box spacer	1
30	01014	Bolt, hex. hd. ¼" U.N.F. x 2" long	1
N/I	15793	Throttle cable thimble (from Chassis No. 3055)	1

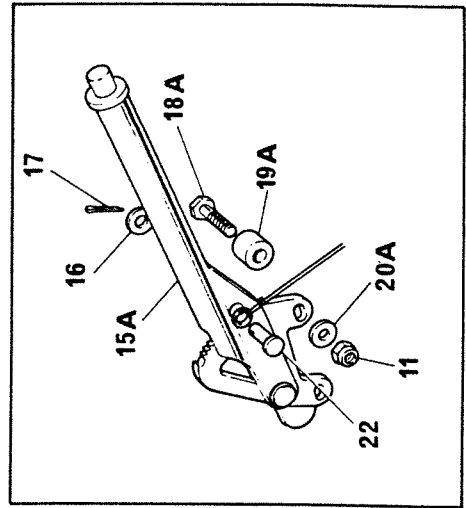
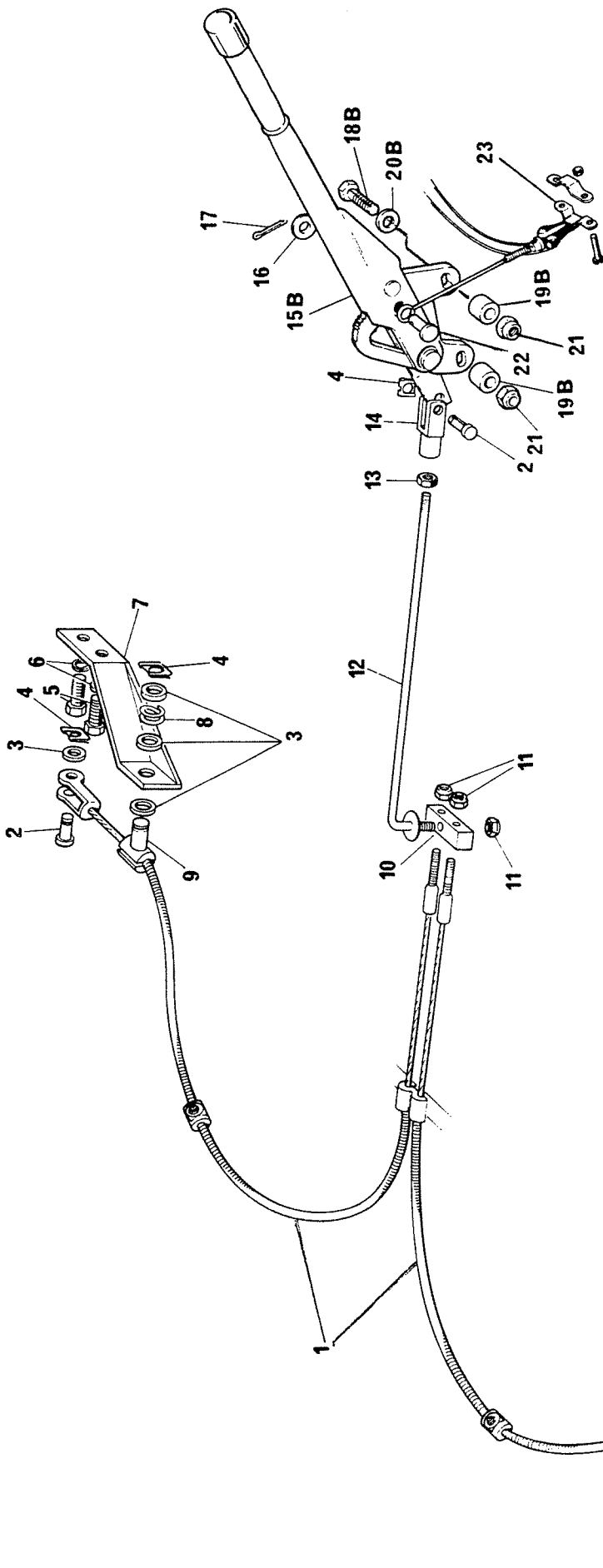
N/I – Not illustrated

* This item is secured by using nuts and washers which fasten servo unit to bulkhead (Items 23, 24 & 25)



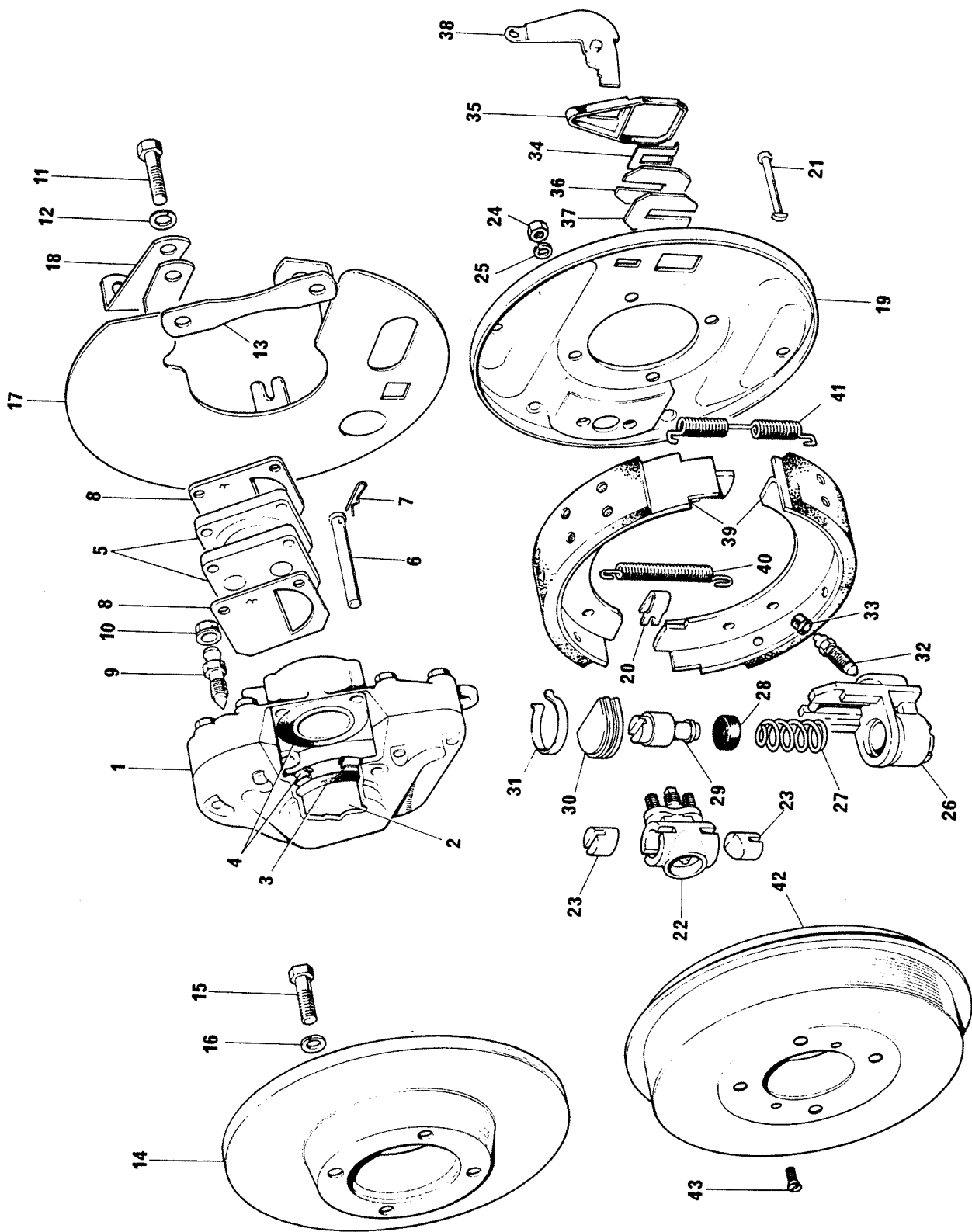
BRAKE SERVO ASSEMBLY

Item No.	Part No.	Description	Qty.
—	15797	Brake servo unit (up to Chassis No. 3458)	1
—	15061	Brake servo unit (from Chassis No. 3459)	1
—	15798	Servo/master cylinder unit, complete (up to Chassis No. 3458)	1
—	15062	Servo/master cylinder unit, complete (from Chassis No. 3459)	1
1	15800	Non-return valve	1
2	15801	'O' ring	1
3	15802	Seal	1
4	—	Servo shell & studs, front — not serviced	1
5	—	Bolt — not serviced	1
6	15804	Spring	1
7	15805	Retainer	1
8	15806	Rod	1
9	15807	Reaction disc	1
10	15808	Plate, diaphragm	1
11	15809	Key	1
12	15810	Diaphragm	1
13	15811	Retainer	1
14	15812	Washer	1
15	15813	Seal	1
16	—	Servo shell & studs, rear — not serviced	1
17	10230	Spacer	1
18	15871	Servo sealing gasket	2
19	15814	Valve and poppet assembly	1
20	15815	Filter	1
21	15816	Retainer	1
22	15817	Dust Cover	1
23	04002	Washer, plain, 5/16" i.d.	4
24	04003	Washer, spring, 5/16" i.d.	4
25	025W005A	Nut, 8m Nyloc	4
26	15821	Seal	1
27	—	Master cylinder body — not serviced	1
28	—	Washer, spring — not serviced	2
29	—	Screw — not serviced	2
30	—	Nut — not serviced	2
31	—	Washer, spring — not serviced	2
32	15826	Seal	1
33	15827	Washer, spring, special, brake master cylinder	1
34	15828	Valve stem	1
35	15829	Spacer	1
36	15830	Spring	1
37	15831	Spring retainer	1
38	15832	Secondary plunger	1
39	15833	Two-way ring seal	1
40	15834	Spring	1
41	15835	Primary plunger	1
42	15836	Gland seal	1
43	15837	Tipping valve assembly	1
44	15838	Valve seat	1
45	15839	Valve spring	1
46	15840	Circlip	1
47	15841	Valve nut	1
48	15842	Seal	1
49	15843	Reservoir	1
50	15844	Baffle	1
51	15845	Gasket	1
52	15846	Filler cap	1
53	15799	Master cylinder assembly — deleted	1
54	15066	Master cylinder assembly	1
N/I	10038	Hose, Brake servo	1



HANDBRAKE ASSEMBLY

<i>Item No.</i>	<i>Part No.</i>	<i>Description</i>	<i>Qty.</i>
1	15850	Handbrake cable assembly	2
2	15851	Clevis pin	3
3	04002	Washer, plain, 5/16" i.d.	8
4	05008	Split clip, 5/16"	5
5	02013	Setscrew, 5/16" UNC x 3/4" long	4
6	04003	Washer, spring 5/16" i.d.	4
7	10233	Cable support bracket	2
8	04020	Washer, thackray, 5/16" i.d.	2
9	10234	Cable support	2
10	10235	Compensator	1
11	03013	Nut, self-locking, 1/2" UNF (up to Chassis No. 2954)	5
	03013	Nut, self-locking, 1/2" UNF (from Chassis No. 2955)	3
12	10236	Pull rod	1
13	03004	Nut, 1/2" UNF	1
14	15859	Clevis	1.
15A	15860	Handbrake lever assembly (up to Chassis No. 2954)	1
15B	15870	Handbrake lever assembly (from Chassis No. 2955)	1
16	04013	Washer, plain 1/2" i.d.	1
17	05002	Split pin, 1/8" dia.	1
18A	01004	Bolt, hex. hd. 1/2" UNF x 1 1/2" long (up to Chassis No. 2954)	2
18B	01027	Bolt, hex. hd. 3/8" UNF x 1 1/2" long (from Chassis No. 2955)	2
19A	04021	Washer, rubber, 1/2" i.d. (up to Chassis No. 2954)	2
19B	04022	Washer, rubber, 3/8" i.d. (from Chassis No. 2955)	2
20A	04013	Washer, plain, 1/2" i.d. (up to Chassis No. 2954)	2
20B	04004	Washer, plain, 3/8" i.d. (from Chassis No. 2955)	2
21	03012	Nut, self-locking, 3/8" UNF (from Chassis No. 2955)	2
22	15867	Pin	1
23	15868	Handbrake warning light switch assernbly	1
	15057	Handbrake warning light switch assembly	1



BRAKES — FRONT AND REAR

<i>Item No.</i>	<i>Part No.</i>	<i>Description</i>	<i>Qty.</i>
—	15925	Rear brake assembly, R.H. (up to Chassis No. 3458)	1
—	15077	Rear brake assembly, R.H. (from Chassis No. 3459)	1
—	15926	Rear brake assembly, L.H. (up to Chassis No. 3458)	1
—	15079	Rear brake assembly, L.H. (from Chassis No. 3459)	1
1	15880	Caliper assembly, R.H.	1
	15881	Caliper assembly, L.H.	1
2	15882	Piston	4
3	15883	Sealing ring	4
4	15884	Seal	4
5	15876	Brake Pad (Replaced by 15029)	1 set
	15029	Brake pad (from Chassis No. 3459)	1 set
6	15886	Retaining pin	4
7	15887	Spring clip	4
8	15888	Shim	4
9	15889	Bleed screw	2
10	15890	Bleed screw cap	2
11	01028	Bolt, special, hex. hd. 7/16" UNF x 1½" long	4
12	04017	Washer, spring, 7/16" i.d.	2
13	15893	Plate	2
14	15894	Disc	2
15	01005	Bolt, hex. hd. 3/8" UNF x ¾" long	8
16	04005	Washer, spring, 3/8" i.d.	8
17	15897	Shield, R.H.	1
	15898	Shield, L.H.	1
18	15899	Bracket	2
19	15900	Backplate R.H.	1
	15901	Backplate L.H.	1
20	15902	Spring clip	4
21	15903	Pin, retaining	4
22	15904	Adjuster assembly	2
23	15905	Adjuster plug	4
24	03008	Nut, ¼" UNF	4
25	04009	Washer, spring, ¼" i.d.	4
26	15908	Wheel cylinder (up to Chassis No. 3458)	2
	15035	Wheel cylinder (from Chassis No. 3459)	2
27	15909	Spring	2
28	15910	Seal	2
29	15911	Piston	2
30	15912	Rubber boot	2
31	15913	Clip spring	2
32	15914	Bleed screw	2
33	15915	Bleed screw cap	2
34	15916	Spring plate	2
35	15917	Seal rubber	2
36	15918	Plate retaining	2
37	15919	Plate retaining	2
38	15920	Handbrake lever	2
39	15921	Lined shoes (up to Chassis No. 3458)	1 set
	15036	Lined shoes (from Chassis No. 3459)	1 set
40	15922	Spring	2
41	15923	Spring	2
42	15924	Drum	2
43	02026	Screw, csk. hd. UNC ¼" x 3/8" long	4

