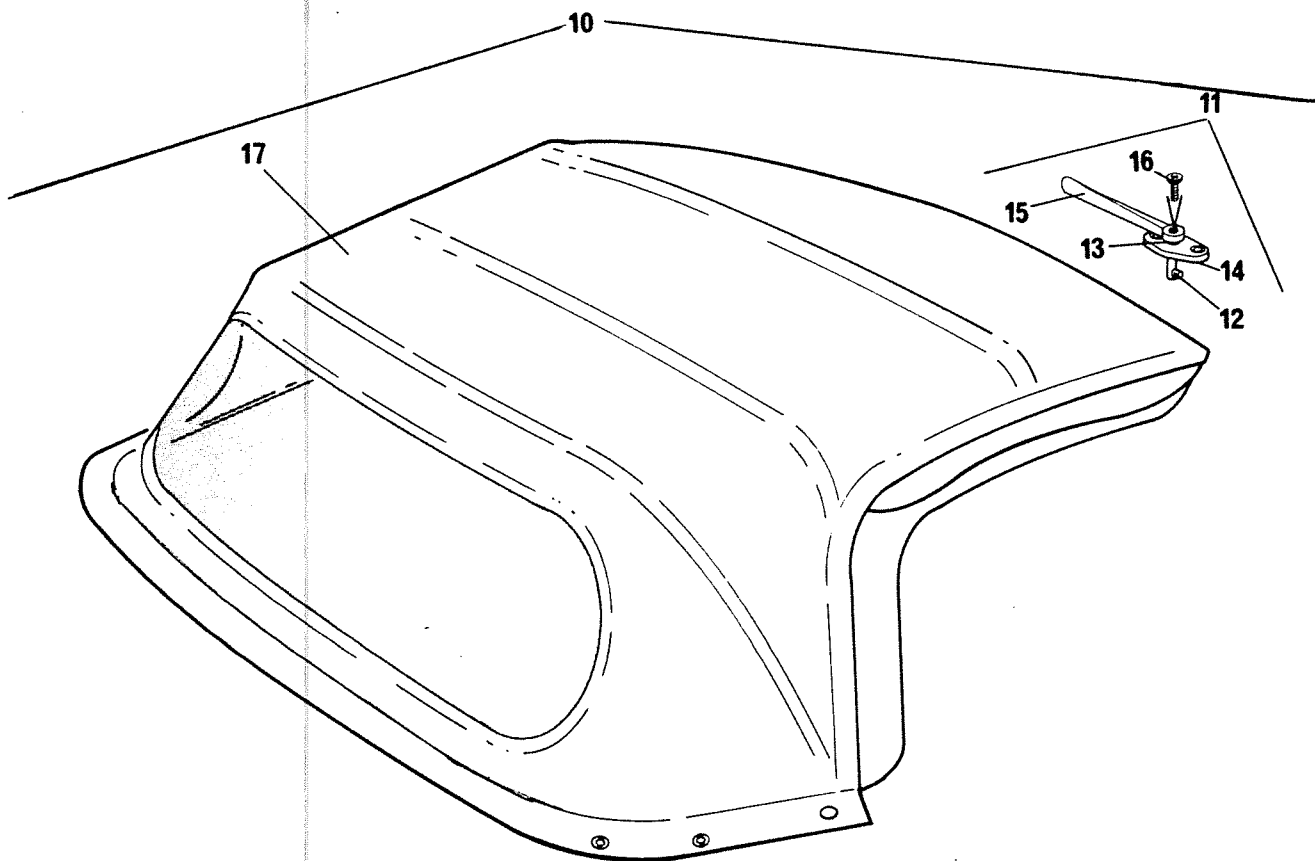
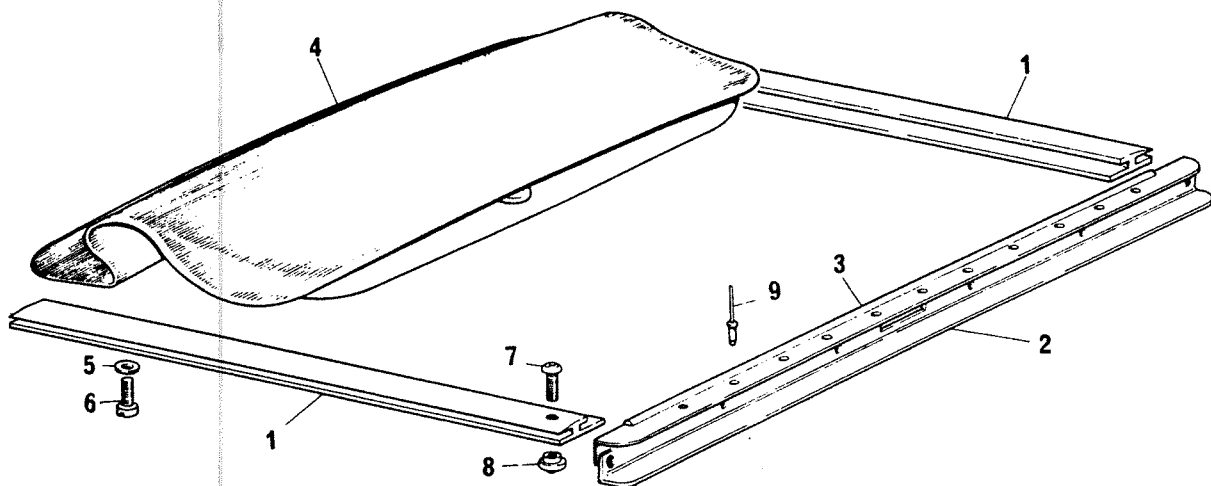


SECTION 8

Sunshine Roof



SUNSHINE ROOF

<i>Item No.</i>	<i>Part No.</i>	<i>Description</i>	<i>Qty.</i>
* -	16320	Sunshine roof assembly, comprising :-	1
1	16321	Side rail	2
2	16322	Front rail – lower	1
3	16323	Front rail – upper	1
* 4	16324	Top cover, control box and rear rail assembly	1
5	04001	Washer, plain, 3/16" i.d.	4
6	02021	Screw, cheese hd. 3/16" UNF x 1/2" long	4
7	02022	Screw, Phillips hd. 3/16" UNF x 1/4" long	6
8	03024	Nut, special, 3/16" UNF	6
9	05011	Rivet, pop, 1/8" dia. x 1/2" long	22
-	16330	Sealing compound	A/R

HOOD (CONVERTIBLE)

10	16253	Hood assembly complete with clamps, frame and cover	1
11	16328	Handle assembly, locking, hood, comprising :- 12, 13, 14, 15 and 16	2
12	15181	Catch, hood locking	2
13	04055	Washer, plain, 1/2" i.d.	2
14	04056	Washer, waverley 1/2" i.d.	2
15	15182	Handle, hood lock operating	2
16	02044	Screw	2
17	16804	Cover, hood	1
N/I	16805	Frame, hood	1
N/I	15781	Escutcheon	2

* Please state colour when ordering
A/R – As required

.....

